



SAVAR 2100 EXi

EXPLOSIONPROOF WEIGHING HAND PALLET TRUCK

**HIGH ACCURACY: MAXIMUM ERROR 0.1% OF
APPLIED WEIGHT**

PIVOTING AND TILTING INDICATOR

**BIG, SOLID PUSH BUTTONS FOR EASY
OPERATION WHEN WEARING GLOVES**

**ERGONOMIC DESIGN: LEVER FUNCTIONS WHICH
CAN BE OPERATED RIGHT OR LEFT-HANDED;
LOW OWN WEIGHT**

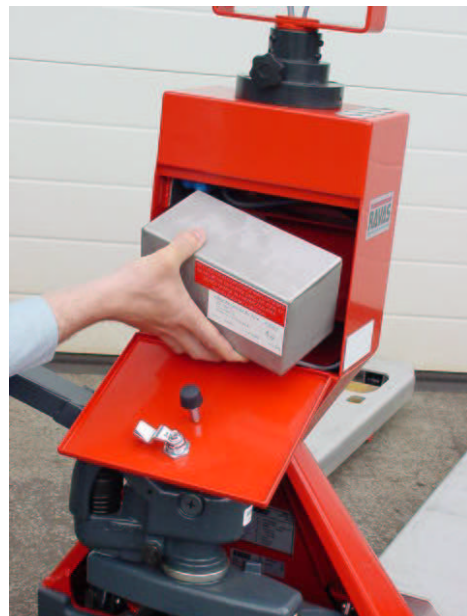
**EXTREMELY SOLID CONSTRUCTION: RESISTANT
TO SHOCKS AND VIBRATIONS**

BATTERY LIFE 100 HOURS

**BATTERY EXCHANGEABLE WITHIN HAZARDOUS
AREA**

FUNCTIONS

- ◆ Automatic and manual zero correction
- ◆ Gross/net weighing
- ◆ Manual tare
- ◆ Totalisation with sequence number
- ◆ Error indication in display
- ◆ Automatic switch-off after two hours of non-use
- ◆ Battery recharge indication 5 hours before battery runs empty



Battery exchangeable within EX-zone

RAVAS

DIMENSIONS

A	Fork length	: 1150 mm
B	Fork width	: 170 mm
C	Minimum fork height	: 85 mm
D	Maximum fork height	: 205 mm
	Lifting height	: 120 mm
E	Width over forks	: 540 mm
F	Height top indicator	: 995 mm

ACCURACY

Maximum inaccuracy: 0.1% of applied weight

Graduation : multi-range

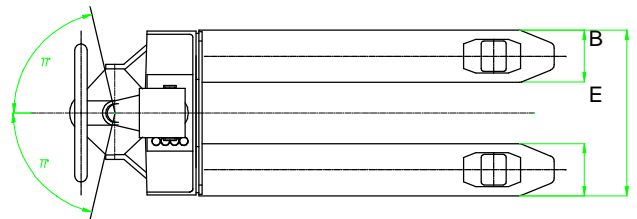
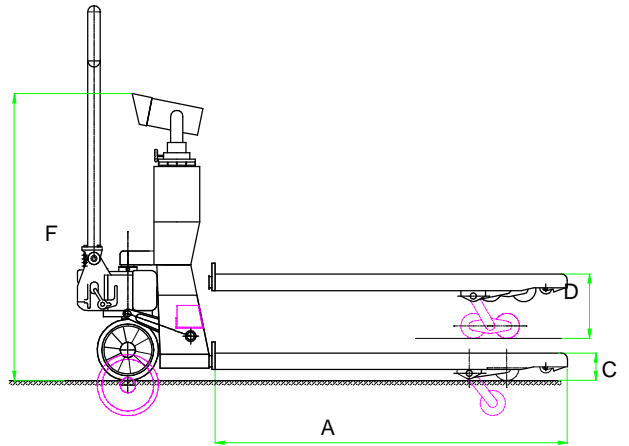
0 - 200 kg: graduation of 0.2 kg

200 - 500 kg: graduation of 0.5 kg

500 - 2200 kg: graduation of 1 kg

STANDARD SPECIFICATIONS

Protection	: EEx ia IIB T4, intrinsically safe, approval number Ex-97.D.2699
Capacity	: 2200 kg
Display	: pivoting and tilting, LCD, height 15 mm
Keypad	: foil keypad and push buttons, 3 function keys, on/off key easy to clean, resistant to chemical products
Protection class	: load cells and cabling IP67, indicator IP65
Fork shoes	: stainless steel
Steering wheels	: rubber, antistatic
Loading wheels	: vulcolan, single
Colour	: red (RAL 3000), epoxy painted
Own weight	: 130 kg
Battery	: intrinsically safe, approval number Ex-97.D.2454 BU2100EXi 12 Vdc / 9.5 Ah, rechargeable, exchangeable and maintenance free
Battery life	: 100 hours low voltage indication 5 hours before automatic switch-off battery run down protection
Charger	: 230 Volt / 8 Vdc - 1 A to be charged outside EX-zone
Duration of charge	: approx. 8 hours



OPTIONS WEIGHING SYSTEM

Smaller graduation	: for a more precise indication (and with reduced capacity)
Theft protection	: user identification by card

OPTIONS HAND PALLET TRUCK

Stainless steel version
Galvanised version
Fold up frame
Loading wheels in nylon and/or tandem
Footbrake (steel or stainless steel)
Quicklift
Capacity 3000 kg
Fork length from 950 mm to 2000 mm
Width over forks 690 mm
Minimum fork height 85 mm

RAVAS

RAVAS Europe B.V.

P.O. Box 2023
5300 CA Zaltbommel
The Netherlands
Tel: +31 - 418 51 52 20
Fax: +31 - 418 51 53 20

www.ravas.com

info@ravas.com

Ref.: RPW2100EXi/UK/980123/v1