



# RPW ST

## WEIGHING SYSTEM FOR STACKER TRUCK

**HIGH ACCURACY: MAXIMUM ERROR 0.1% OF  
APPLIED WEIGHT, OPTION CLASS III**

**ACCURACY INDEPENDENT OF FLOOR  
CONDITION OR POSITION OF THE LOAD**

**SUITABLE FOR ALL BRANDS AND MODELS OF  
STACKER TRUCKS**

**EXTREMELY SOLID CONSTRUCTION:  
RESISTANT TO SHOCKS AND VIBRATIONS**

**WEIGHING SYSTEM PRACTICALLY  
MAINTENANCE FREE**

### STANDARD SPECIFICATIONS

- ◆ Weighing capacity equal to lifting capacity or limited by the demanded graduation
- ◆ Maximum inaccuracy 0.1% of applied weight
- ◆ Graduation: 1 kg
- ◆ Protection of load cells and cabling according to norm IP67
- ◆ Indicator protected according to norm IP65



Dosing and filling going from containers, with a weighing system on the stacker

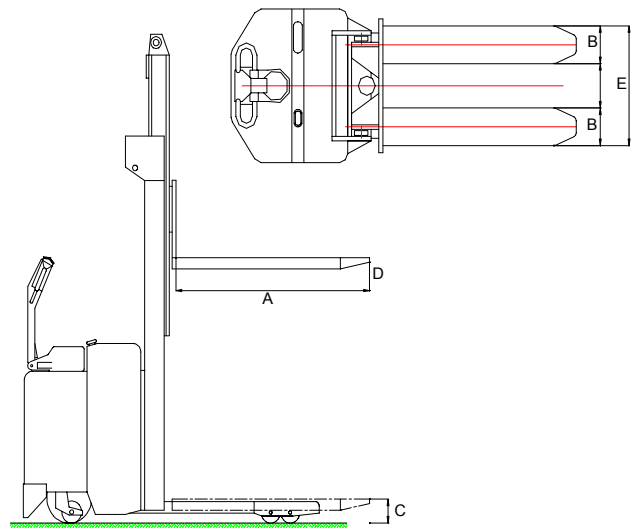
## MODIFICATIONS OF STANDARD STACKER TRUCK DIMENSIONS

A Fork length	: + 10 mm
B Fork width	: + 20 mm
C Minimum fork height	: + 5 mm
D Maximum fork height	: + 5 mm
E Width over forks	: + 20 mm

Forks with a length of more than 1200 mm on demand.

## GRADUATION

Standard:	1 kg
Approved:	
1000 divisions	500 kg / 0.5 kg 1000 kg / 1 kg 2000 kg / 2 kg
1500 divisions	750 kg / 0.5 kg 1500 kg / 1 kg
2000 divisions	1000 kg / 0.5 kg 2000 kg / 1 kg



## RAVAS INDICATORS

Every RAVAS Indicator has its own specific function. To every application corresponds a user-friendly indicator.

The RAVAS Indicators have been developed especially for mobile applications. Because of this, they have a robust construction and are resistant to shocks and vibrations. RAVAS Indicators are very compact, due to the use of SMD techniques. According to norm IP65, all Indicators are dust and waterproof, thus enabling use in the open.

For more information about RAVAS indicators, please see corresponding specification sheets



## RAVAS Europe B.V.

P.O. Box 2023  
5300 CA Zaltbommel  
The Netherlands

☎ +31 - 418 - 51 52 20

📠 +31 - 418 - 51 53 20

www.ravas.com

Ref.: RPWST/UK/971202/v1

## OPTIONS

- Approved for trade version according to certificate T2782, 2000 divisions maximum
- More accurate reading with smaller range (and with reduced capacity)
- More accurate reading with multi-range (except for approved for trade version) with which the graduation is determined by the load weighed (0.2 kg to 200 kg, 0.5 kg from 200 to 500 kg and 1 kg to 500 kg)
- Printer for gross weight, net weight, tare weight with code, date and time
- Output for transport of data transfer
- Radiographic data transfer
- RAM card system for storage of weight information with identification codes and date/time on memory card
- Identification systems
- Rotating indicator for reading display from all angles
- Stainless steel forks for more hygiene
- Explosionproof version to be used in zone I