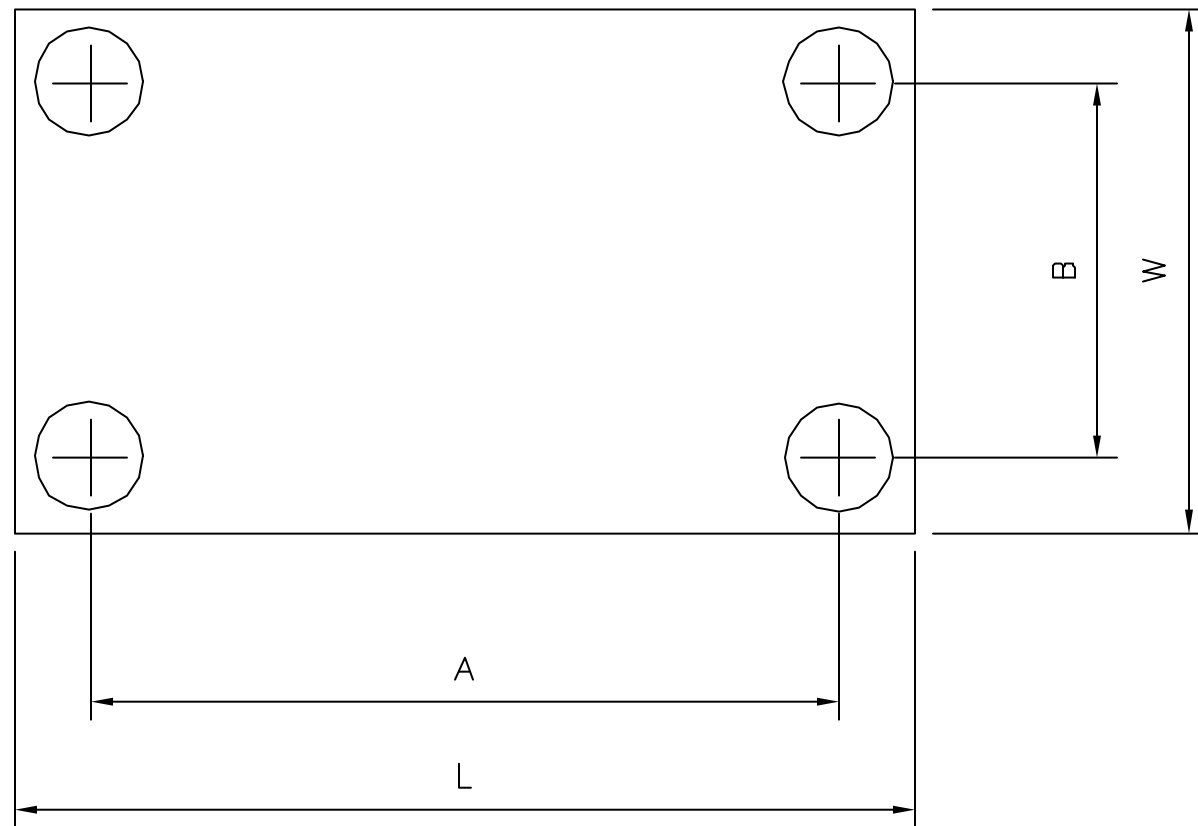


DRG.No. 23/8994

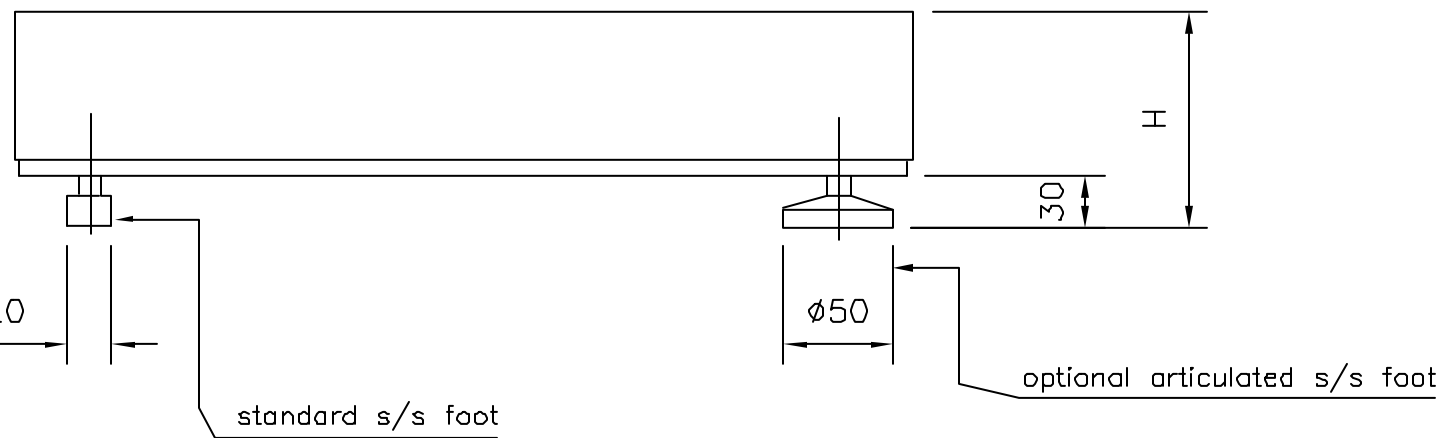


PLATFORM SIZE	"L"	"W"	"H"	"A"	"B"
3B - 300x300	300	300	100	250	234
4B - 400x300	400	300	100	350	234
4B - 400x400	400	400	100	350	334
5B - 500x500	500	500	140	450	434
6B - 600x600	600	600	140	550	534

NOTE WHEN A 1510 S/S CELL IS FITTED HEIGHT WILL INCREASE BY 10 MM

SIZES IN BETWEEN STANDARDS ARE AVAILABLE ON REQUEST

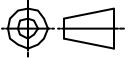
LOAD CELL FITTED WITH NOM 3m FLYING LEAD



This drawing is for information purposes only and should not be used for manufacture without first referring to Nova Weigh

MOD	ADDED BY	DATE	MOD No.
B			

DO NOT SCALE — IF IN DOUBT ASK

PROJECTION 


ALL DIMENSIONS IN mm

UNLESS OTHERWISE STATED

REMOVE ALL BURRS AND SHARP EDGES LIGHTLY CSK ALL HOLES

TOLERANCES
 NO DEC PLACE +/- 0.5mm
 ONE DEC PLACE +/- 0.1mm
 TWO DEC PLACE +/- 0.02mm
 ANGLES +/- 1 deg

© Copyright Nova Weigh Ltd. Not to be copied or shown to a third party without the written permission of Nova Weigh Ltd G.A.

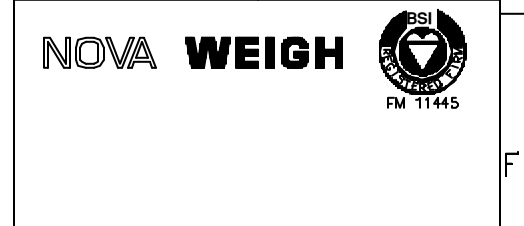
MACHINING

 ORIGINAL SCALE
 NTS

PARTS LIST DRAWN G Comley

PARTS CODE DATE April 2002

QTY CHKD APPD

MATERIAL



THIS IS A CAD GENERATED DRG DO NOT CHANGE MANUALLY

TITLE
 Bench Base Platform
 Model BB

DRG.No. 23/8994/A
 Original paper size : A3