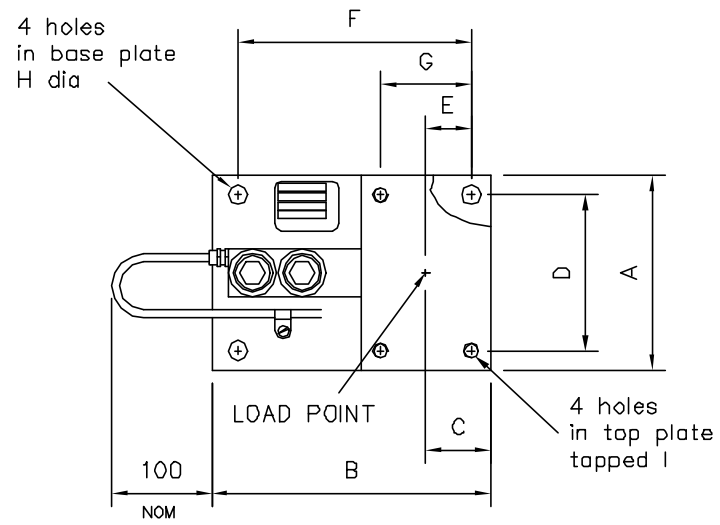


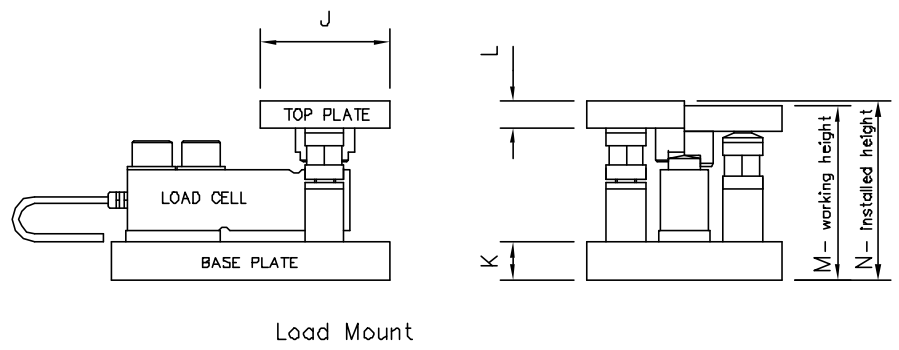
DRG.No. 23/6763

CAPACITY Kg	COMPACT LOADMOUNT DIMENSIONS													OUTLINE DRG	
	A	B	C	D	E	F	G	H	I	J	K	L	M		N
0 - 500															13/6773
0 - 1000	150	175	50	120	35	140	70	15	M12	100	20	20	109	112	13/6774
0 - 2000															13/6774
0 - 5000	150	215	50	120	35	180	70	15	M12	100	30	20	135	138	12/7148
0 - 10000	170	270	65	130	45	230	90	19	M16	130	40	25	180	164	

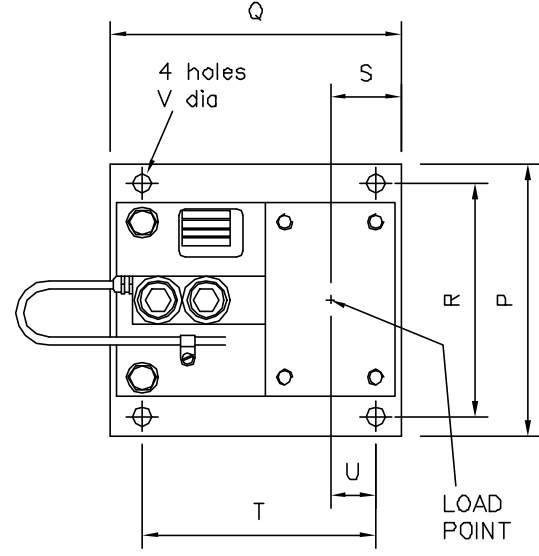
CAPACITY Kg	BOLTING TYPE								OUTLINE DRG	WELDING TYPE				OUTLINE DRG
	THICK	P	Q	R	S	T	U	V		THICK	W	X	Y	
	0 - 500													
0 - 1000	16	210	185	180	55	140	35	14	16	160	185	55		
0 - 2000														
0 - 5000	25	210	225	180	55	180	35	14	25	160	225	55		
0 - 10000	30	250	280	210	70	230	45	18	30	180	280	70		



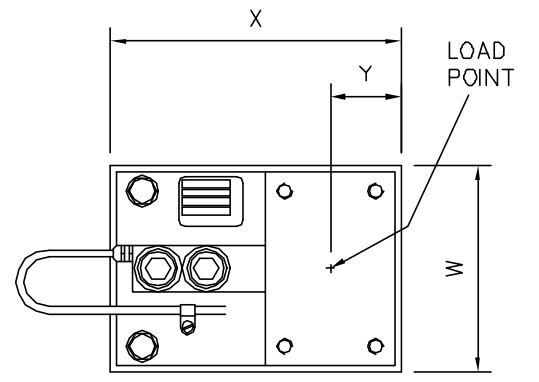
- NOTES -
- 1 Allow 250 minimum clearance around base plate for tightening fixing bolts
 - 2 The design of any fixture must not impede the installation or removal of the load cell or its fasteners
 - 3 Ensure access to jacking screws
 - 4 For further information, consult the Compact LoadMount Technical Manual and the appropriate Outline Drawing
 - 5 The Foundation Plate is an Optional Extra which may be used for i.e. To reduce floor loadings For casting in position For customised mechanical assemblies To avoid beam webs on supporting steelwork Welded installations



*Preliminary Drawing
Details subject to
change without
notification*



Bolting type
Foundation Plate



Welding type
Foundation Plate

MOD	ADDED BY	DATE	MOD No.
B	GC	7.2.96	
10000 kg dims added			
C	GC	11.10.02	
note 6 removed			

This drawing is for information purposes only and should not be used for manufacture without first referring to Nova Weigh

DO NOT SCALE — IF IN DOUBT ASK	
PROJECTION	
ALL DIMENSIONS IN mm	
UNLESS OTHERWISE STATED	
REMOVE ALL BURRS AND SHARP EDGES LIGHTLY CSK ALL HOLES	TOLERANCES ND DEC PLACE +/- ONE DEC PLACE +/- TWO DEC PLACE +/- ANGLES +/-
© Copyright Nova Weigh Ltd. Not to be copied or shown to a third party without the written permission of Nova Weigh Ltd C.A.	MACHINING ROUGH MACHINE SMOOTH MACHINE GRIND ORIGINAL SCALE ~
PARTS LIST F-109*****	DRAWN G Comley
QTY	DATE July 1995
MATERIAL	CHKD APPD



THIS IS A CAD GENERATED DRG
DO NOT CHANGE MANUALLY

TITLE
Compact LoadMount
Overall Dimensions
&
Foundation Plates

DRG.No. 23/6763/C

Original paper size : A3