

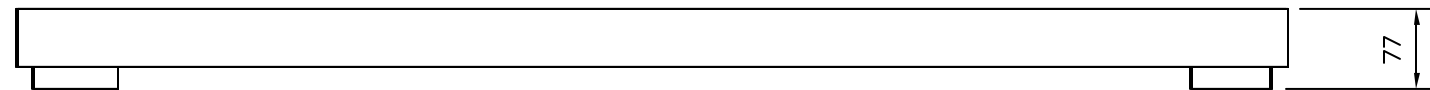
DRG.No. 22/8993

NOMINAL HEIGHT IS 77--80 MM  
 FOOT CENTRES = LENGTH - 108 MM  
 FOOT CENTRES = WIDTH - 108 MM

MAXIMUM CAPACITY = 2000KG  
 MAXIMUM STRENGTH = 4000KG



LOADCELL CABLE  
 + SIG = RED  
 - SIG = WHITE  
 + EXC = GREEN  
 - EXC = BLACK  
 + SEN = BLUE  
 - SEN = GREY or BROWN  
 SCREEN = GREEN/YELLOW

This drawing is for information purposes only  
 and should not be used for manufacture  
 without first referring to Nova Weigh



MOD	ADDED BY	DATE	MOD No.
B			

DO NOT SCALE — IF IN DOUBT ASK	
PROJECTION 	
ALL DIMENSIONS IN mm	
UNLESS OTHERWISE STATED	
REMOVE ALL BURRS AND SHARP EDGES	TOLERANCES
LIGHTLY CSK ALL HOLES	NO DEC PLACE +/- 0.5mm
	ONE DEC PLACE +/- 0.1mm
	TWO DEC PLACE +/- 0.02mm
	ANGLES +/- 1 deg
© Copyright Nova Weigh Ltd. Not to be copied or shown to a third party without the written permission of Nova Weigh Ltd.	MACHINING
G.A.	ROUGH MACHINE ORIGINAL SCALE
	SMOOTH MACHINE NTS
	GRIND
PARTS LIST	DRAWN
	G Comley
PARTS CODE	DATE
	April 2002
QTY	CHKD
	APPD
MATERIAL	ms painted
NOVA WEIGH 	
THIS IS A CAD GENERATED DRG DO NOT CHANGE MANUALLY	
TITLE	
Low Profile Platform Model ELP	
DRG.No. 22/8993/A	