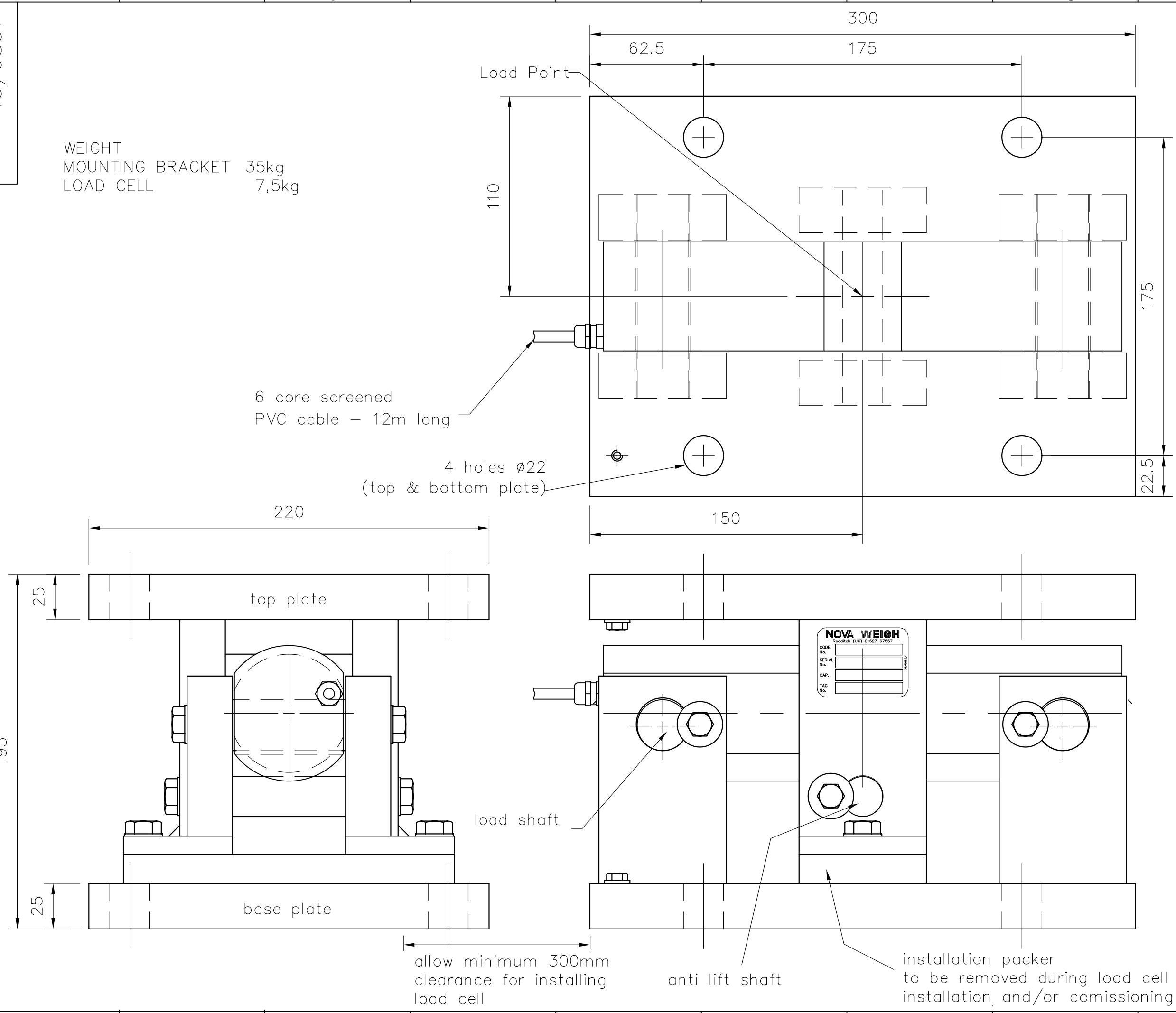
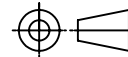



DRG.No.13/9831

WEIGHT MOUNTING BRACKET 35kg  
LOAD CELL 7,5kg



MOD	ADDED BY	DATE	MOD No.
B			
DO NOT SCALE — IF IN DOUBT ASK			
PROJECTION 			
ALL DIMENSIONS IN mm			
UNLESS OTHERWISE STATED			
REMOVE ALL BURRS AND SHARP EDGES	TOLERANCES		
LIGHTLY CSK ALL HOLES	NO DEC PLACE +/- 0.5mm		
	ONE DEC PLACE +/- 0.1mm		
	TWO DEC PLACE +/- 0.02mm		
	ANGLES +/- 1 deg		
© Copyright Nova Weigh Ltd. Not to be copied or shown to a third party without the written permission of Nova Weigh Ltd	MACHINING		
	ROUGH MACHINE	SMOOTH MACHINE	GRIND
G.A.	ORIGINAL SCALE		
	1:2		
PARTS LIST	DRAWN		
	G Comley		
PARTS CODE	DATE		
NW460503*	July 06		
QTY	CHKD	APPD	
MATERIAL	ms-bzp or 304ss		
<b>NOVA WEIGH</b> 			
Nova Weigh Ltd. Colemeadow Road, Redditch, Worcs. B98 9PB Tel: (01527) 67557 Fax: (01527) 60213			
THIS IS A CAD GENERATED DRG DO NOT CHANGE MANUALLY			
TITLE			
460 Silo LoadMount Capacity 0 - 50000kg			
DRG.No. 13/9831/A			