

DRG.No.13-9826

WEIGHT MOUNTING BRACKET 16kg  
LOAD CELL 3kg

6 core screened pvc cable  
12m long

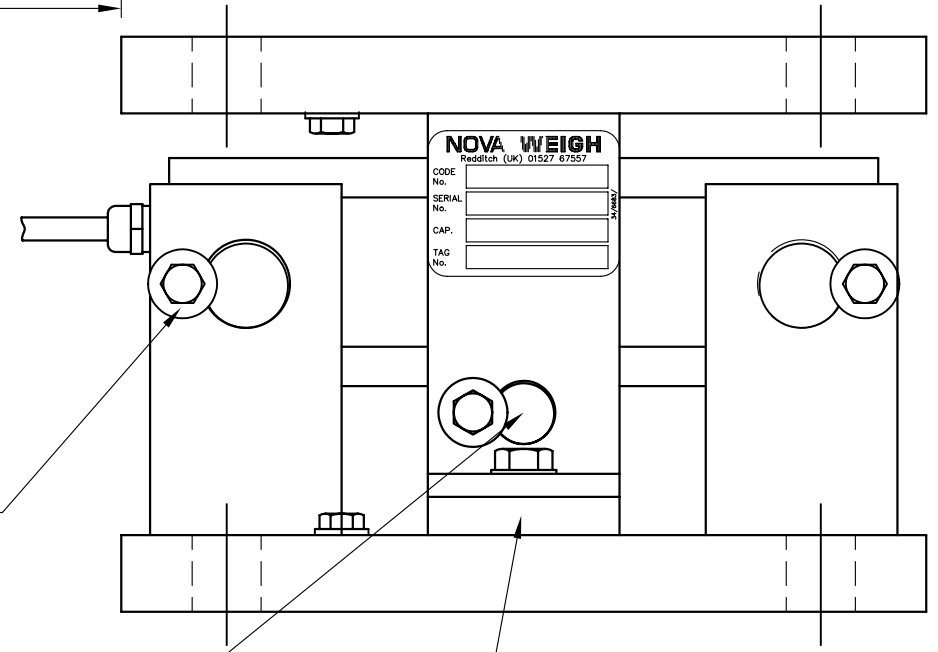
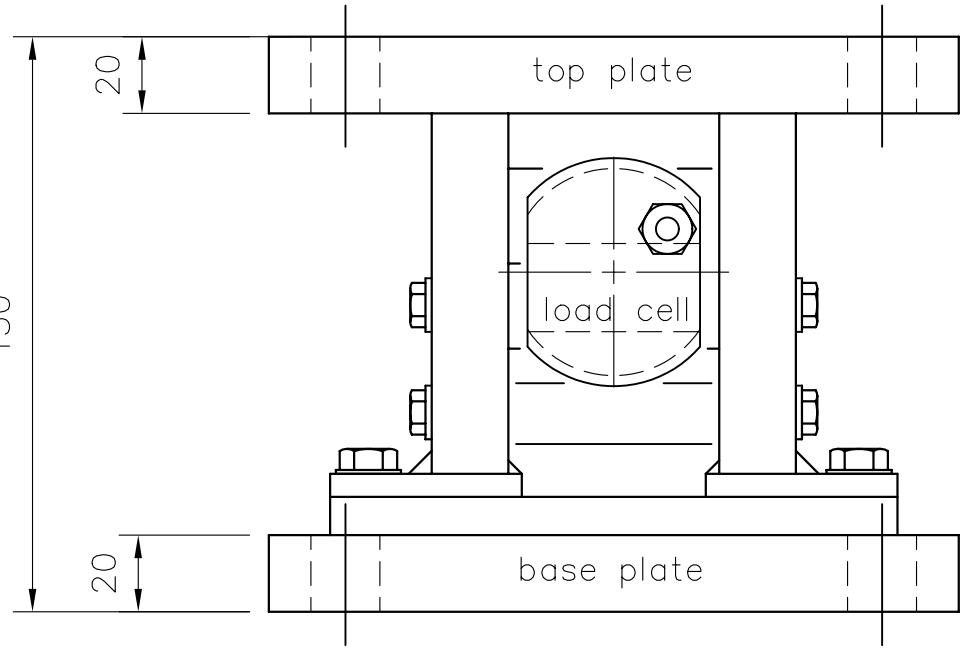
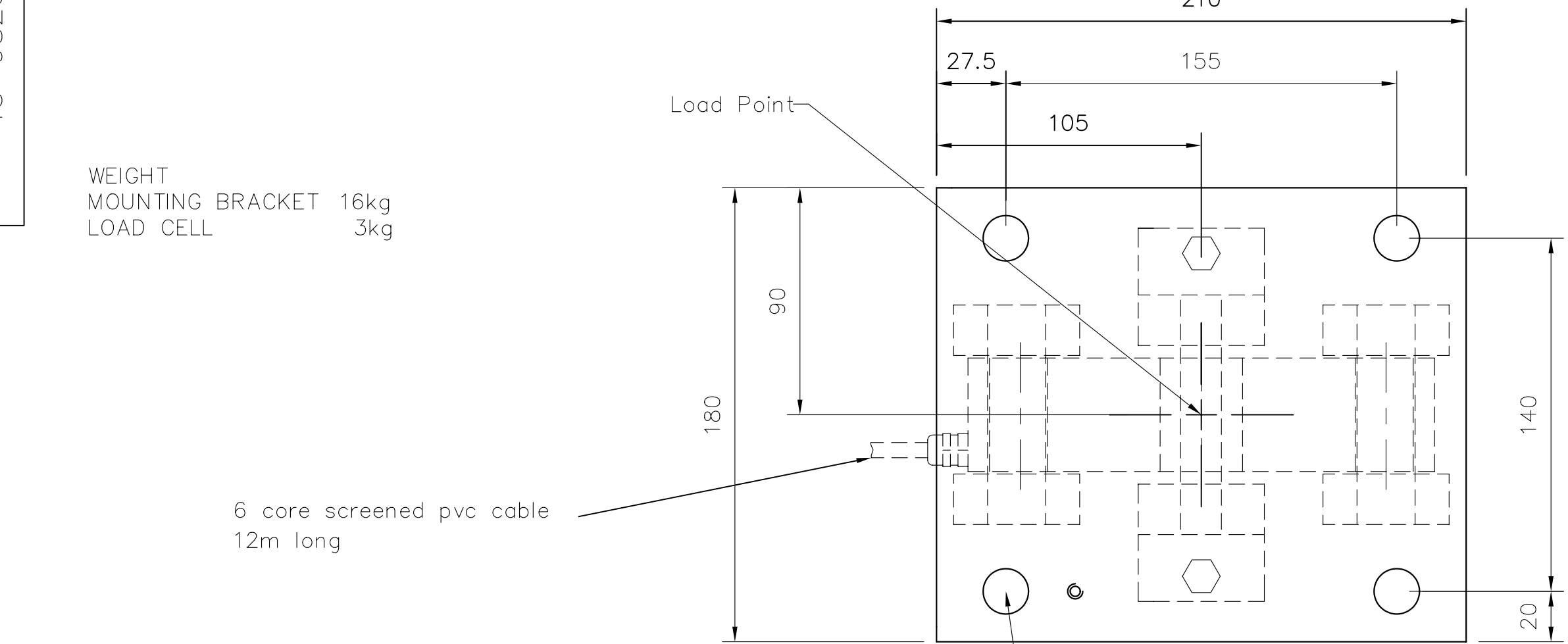
allow minimum 250mm  
clearance for installing  
load cell

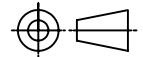

4 holes (top and bottom plate)  
Ø18

load shaft

anti lift shaft

installation packer  
to be removed during load cell  
installation and/or comissioning



MOD	ADDED BY	DATE	MOD No.
B			
DO NOT SCALE — IF IN DOUBT ASK			
PROJECTION 			
ALL DIMENSIONS IN mm			
UNLESS OTHERWISE STATED			
REMOVE ALL BURRS AND SHARP EDGES LIGHTLY CSK ALL HOLES	TOLERANCES NO DEC PLACE +/- 0.5mm ONE DEC PLACE +/- 0.1		
© Copyright Nova Weigh Ltd. Not to be copied or shown to a third party without the written permission of Nova Weigh Ltd	MACHINING ROUGH MACHINE SMOOTH MACHINE GRIND		
G.A.	ORIGINAL SCALE 1:2		
PARTS LIST	DRAWN G Comley		
PARTS CODE NW460203**	DATE 1 Ju;y 06		
QTY	CHKD	APPD	
MATERIAL ms-bzp or 304ss			
NOVA WEIGH 			
FM 11445			
TITLE 460 Silo LoadMount Capacity 0 - 20000kg			
DRG.No. 13-9826/A			