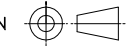




DRG.No. 13/9201

MOD	ADDED BY	DATE	MOD No.

This drawing is for information purposes only and should not be used for manufacture without first referring to Nova Weigh

DO NOT SCALE — IF IN DOUBT ASK	
PROJECTION 	
ALL DIMENSIONS IN mm	
UNLESS OTHERWISE STATED	
REMOVE ALL BURRS AND SHARP EDGES	TOLERANCES
LIGHTLY CSK ALL HOLES	NO DEC PLACE +/-
	ONE DEC PLACE +/-
	TWO DEC PLACE +/-
	ANGLES +/-
© Copyright Nova Weigh Ltd. Not to be copied or shown to a third party without the written permission of Nova Weigh Ltd	MACHINING
	ROUGH MACHINE
	SMOOTH MACHINE
	GRIND
G.A.	ORIGINAL SCALE
—	1:2
PARTS LIST	DRAWN
—	KWW
QTY	DATE
—	3/2/03
MATERIAL	CHKD
—	APPD
—	—

 	
THIS IS A CAD GENERATED DRG DO NOT CHANGE MANUALLY	
TITLE	GA
COMPACT JUNCTION BOX	
NOVA WEIGH LTD	
STANDARD DRAWING	
DRG.No. 13/9201/A	