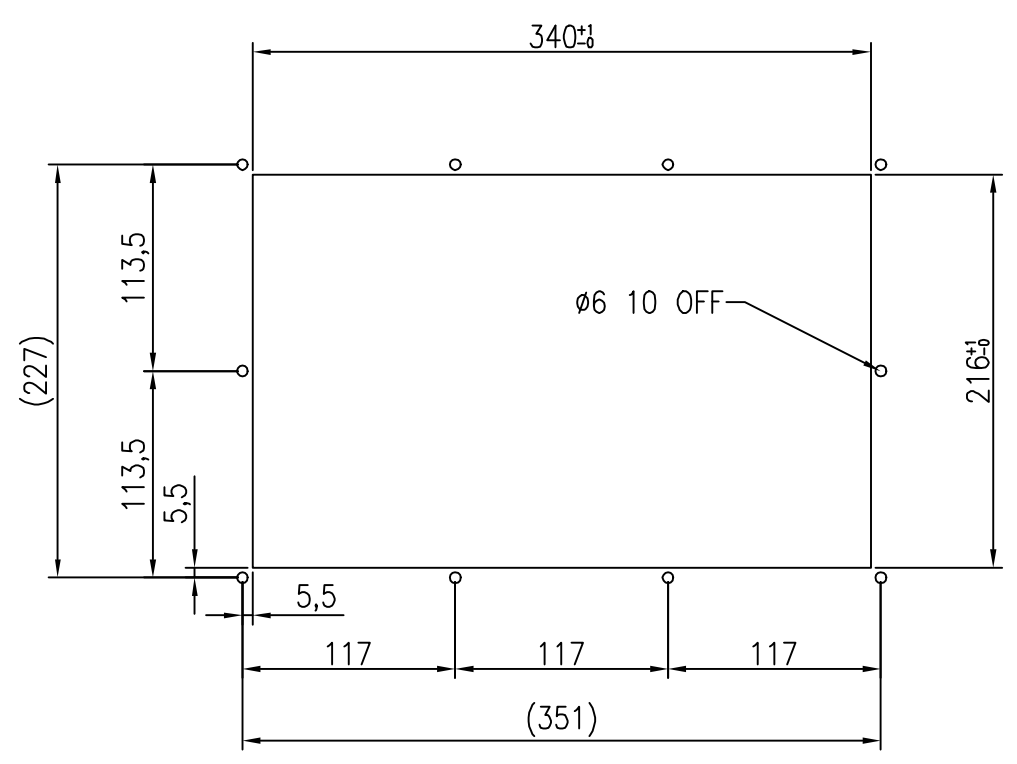


DRG.No. 13/9013

This drawing is for information purposes only and should not be used for manufacture without first referring to Nova Weigh



MOD	ADDED BY	DATE	MOD No.
DO NOT SCALE — IF IN DOUBT ASK			
PROJECTION			
ALL DIMENSIONS IN mm			
UNLESS OTHERWISE STATED			
REMOVE ALL BURRS AND SHARP EDGES LIGHTLY CSK ALL HOLES	TOLERANCES NO DEC PLACE +/- ONE DEC PLACE +/- TWO DEC PLACE +/- ANGLES +/-		
© Copyright Nova Weigh Ltd. Not to be copied or shown to a third party without the written permission of Nova Weigh Ltd	MACHINING ROUGH MACHINE SMOOTH MACHINE GRIND		
G.A. 13/9055	ORIGINAL SCALE 1:4		
PARTS LIST —	DRAWN KWW		
QTY —	DATE 2/8/02		
MATERIAL —	CHKD —	APPD —	
THIS IS A CAD GENERATED DRG DO NOT CHANGE MANUALLY			
TITLE GA ST PANEL INDICATOR NOVA WEIGH LTD STANDARD DRAWING			
DRG.No. 13/9055/A			