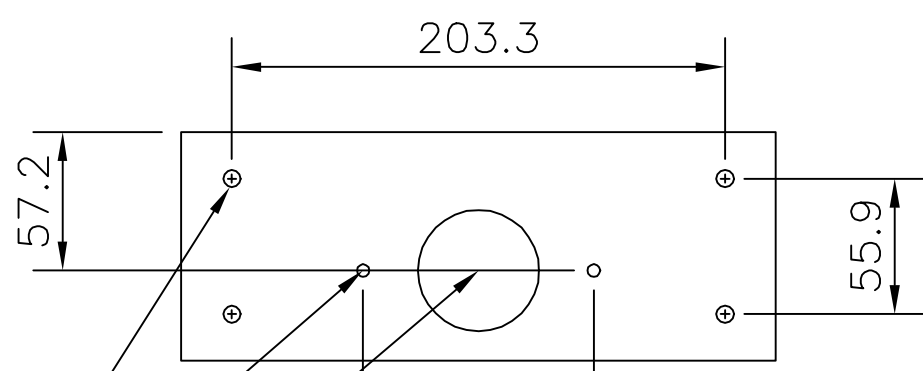
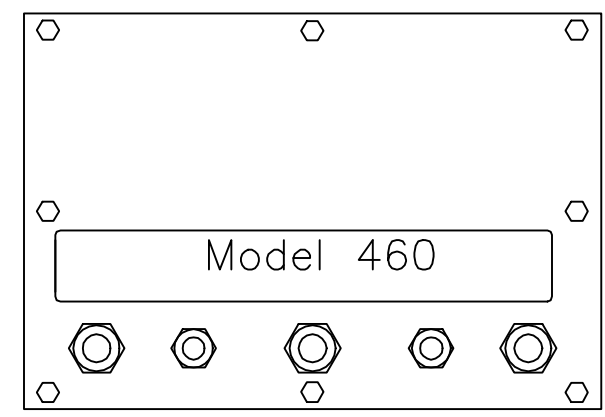
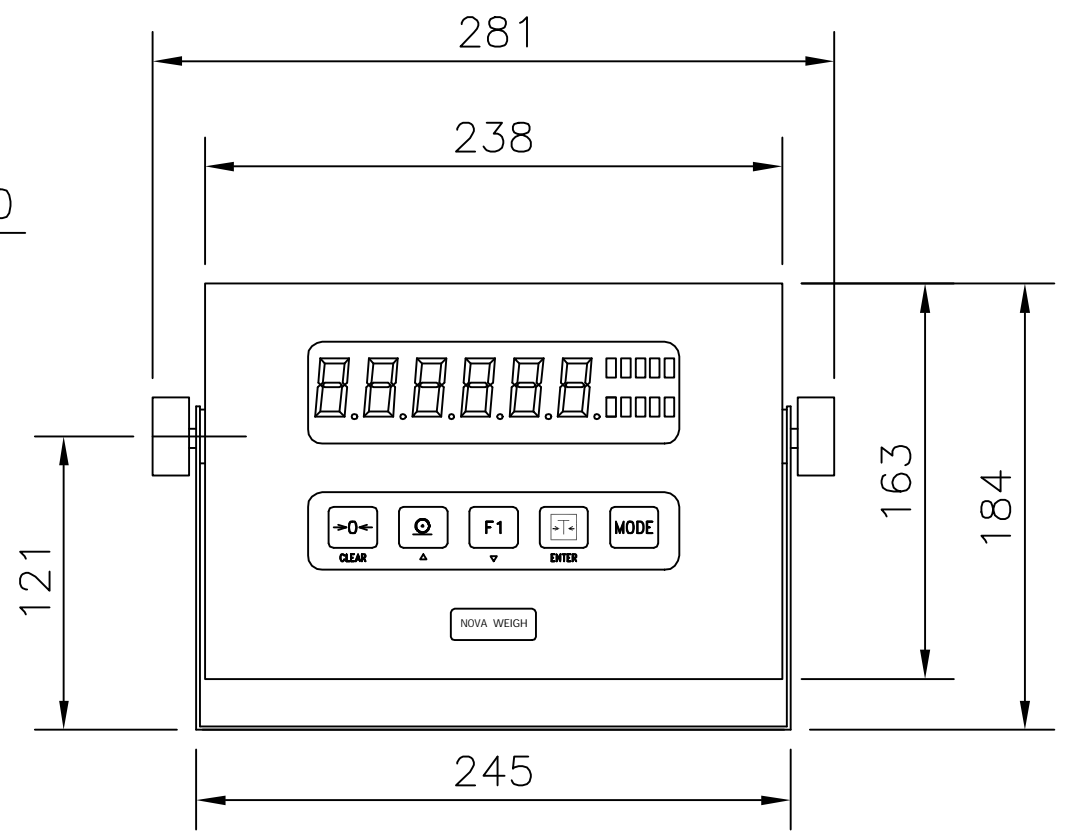
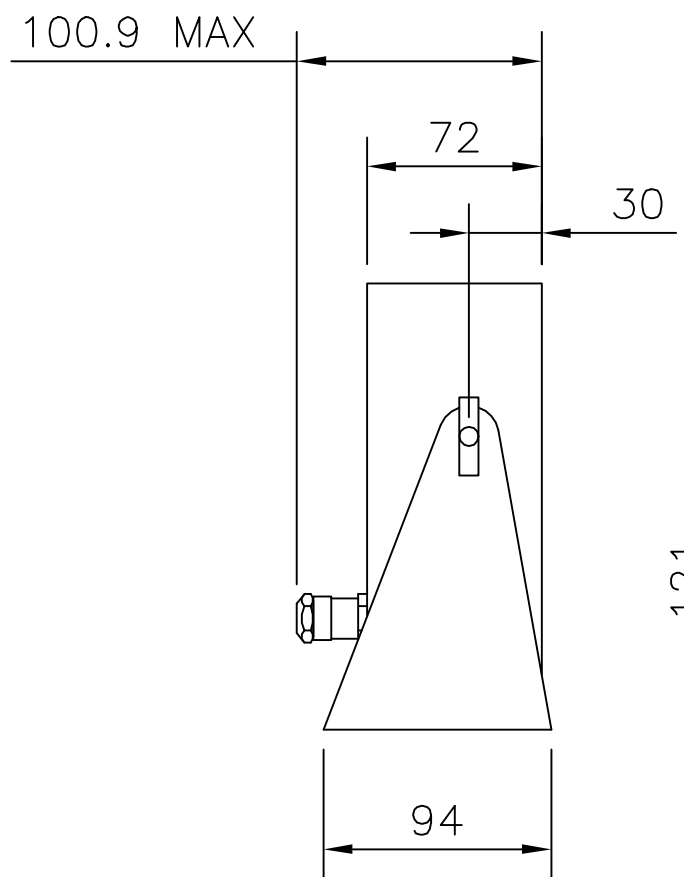


1 2 3 4 5 6 7 8 9 10

MOD	ADDED BY	DATE	MOD No.
B	-	-	-
-	-	-	-

DRG.No. 13/9017

This drawing is for information purposes only and should not be used for manufacture without first referring to Nova Weigh



4 OFF MOUNTING HOLES  $\phi 7.1$   
2 OFF MOUNTING HOLES  $\phi 5.2$   
HOLE  $\phi 50.8$

DO NOT SCALE — IF IN DOUBT ASK	
PROJECTION	
ALL DIMENSIONS IN mm	
UNLESS OTHERWISE STATED	
REMOVE ALL BURRS AND SHARP EDGES LIGHTLY CSK ALL HOLES	TOLERANCES NO DEC PLACE +/- ONE DEC PLACE +/- TWO DEC PLACE +/- ANGLES +/-
© Copyright Nova Weigh Ltd. Not to be copied or shown to a third party without the written permission of Nova Weigh Ltd.	MACHINING ROUGH MACHINE SMOOTH MACHINE GRIND
G.A.	ORIGINAL SCALE 1:3
PARTS LIST	DRAWN KWW
QTY	DATE 24/5/02
MATERIAL	CHKD APPD



THIS IS A CAD GENERATED DRG  
DO NOT CHANGE MANUALLY

TITLE GA  
460 DWI  
NOVA WEIGH LTD  
STANDARD

DRG.No. 13/9017/A

A  
B  
C  
D  
E  
F  
G

A  
B  
C  
D  
E  
F  
G

1 2 3 4 5 6 7 8 9