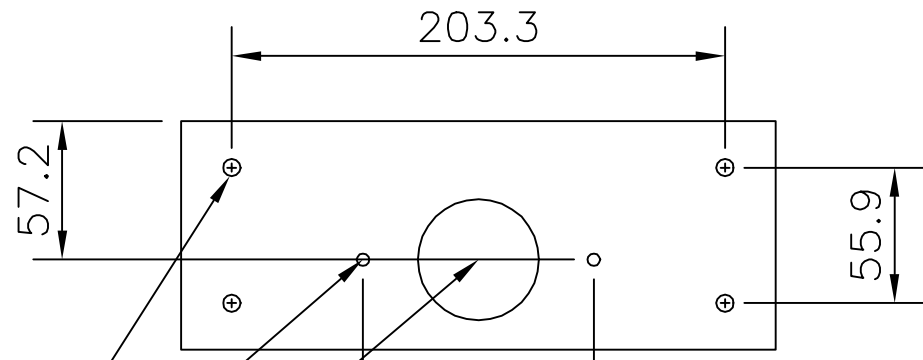
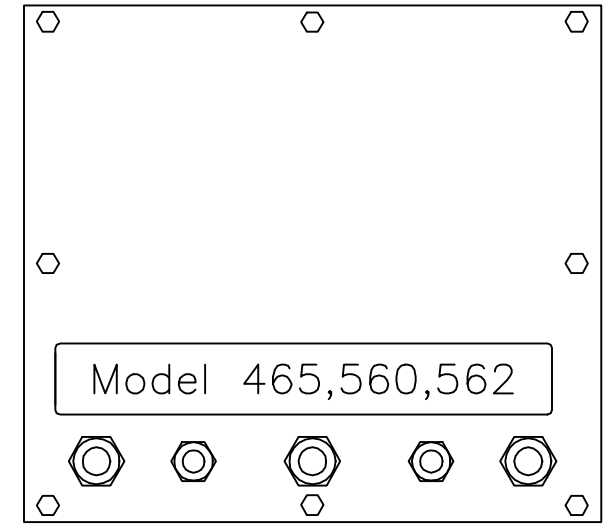
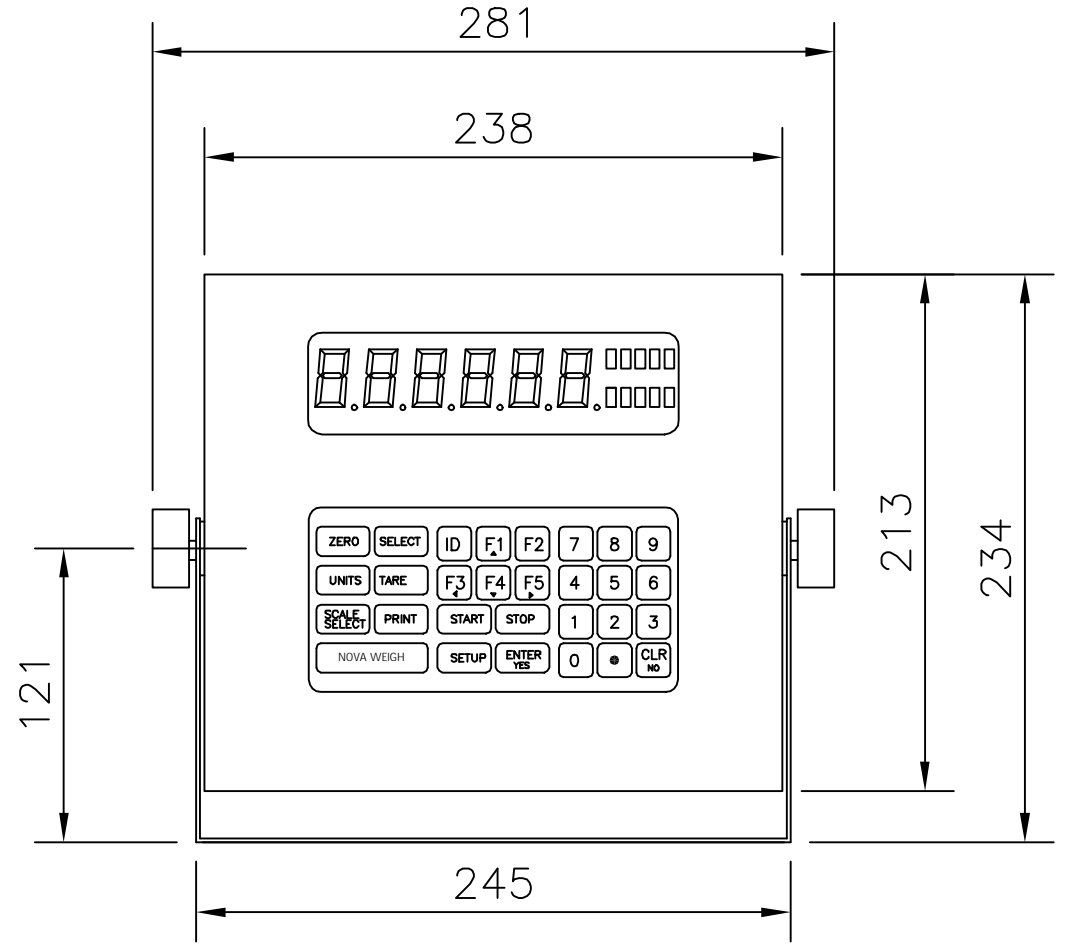
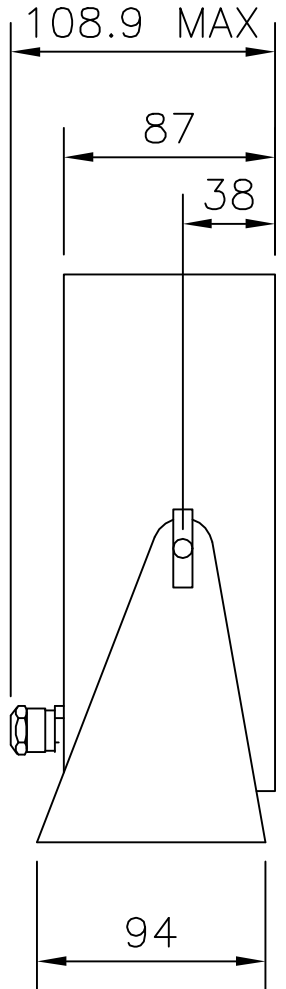


DRG.No. 13/9016

MOD	ADDED BY	DATE	MOD No.
B	-	-	-
-	-	-	-

This drawing is for information purposes only and should not be used for manufacture without first referring to Nova Weigh



4 OFF MOUNTING HOLES $\phi 7.1$
 2 OFF MOUNTING HOLES $\phi 5.2$
 HOLE $\phi 50.8$

DO NOT SCALE — IF IN DOUBT ASK	
PROJECTION	
ALL DIMENSIONS IN mm	
UNLESS OTHERWISE STATED	
REMOVE ALL BURRS AND SHARP EDGES LIGHTLY CSK ALL HOLES	TOLERANCES NO DEC PLACE +/- ONE DEC PLACE +/- TWO DEC PLACE +/- ANGLES +/-
© Copyright Nova Weigh Ltd. Not to be copied or shown to a third party without the written permission of Nova Weigh Ltd.	MACHINING ROUGH MACHINE SMOOTH MACHINE GRIND
G.A. —	ORIGINAL SCALE 1:3
PARTS LIST —	DRAWN KWW
QTY —	DATE 24/5/02
MATERIAL —	CHKD — APPD —



THIS IS A CAD GENERATED DRG DO NOT CHANGE MANUALLY

TITLE GA
 465, 560, 562 PWI
 NOVA WEIGH LTD
 STANDARD

DRG.No. 13/9016/A