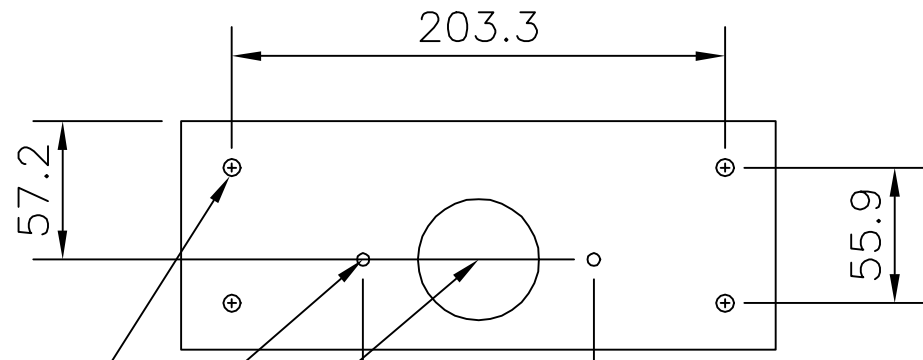
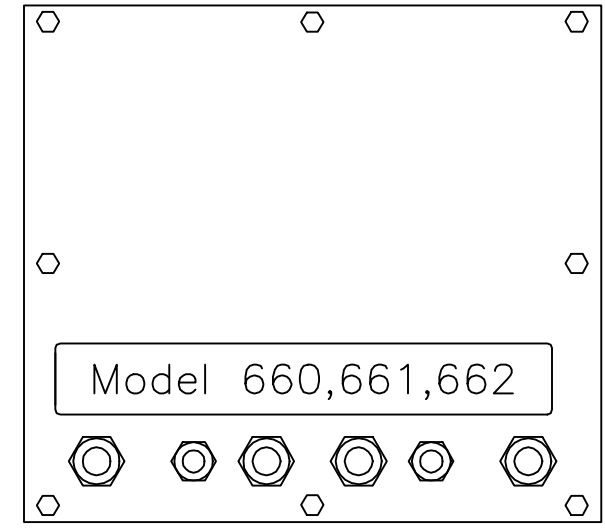
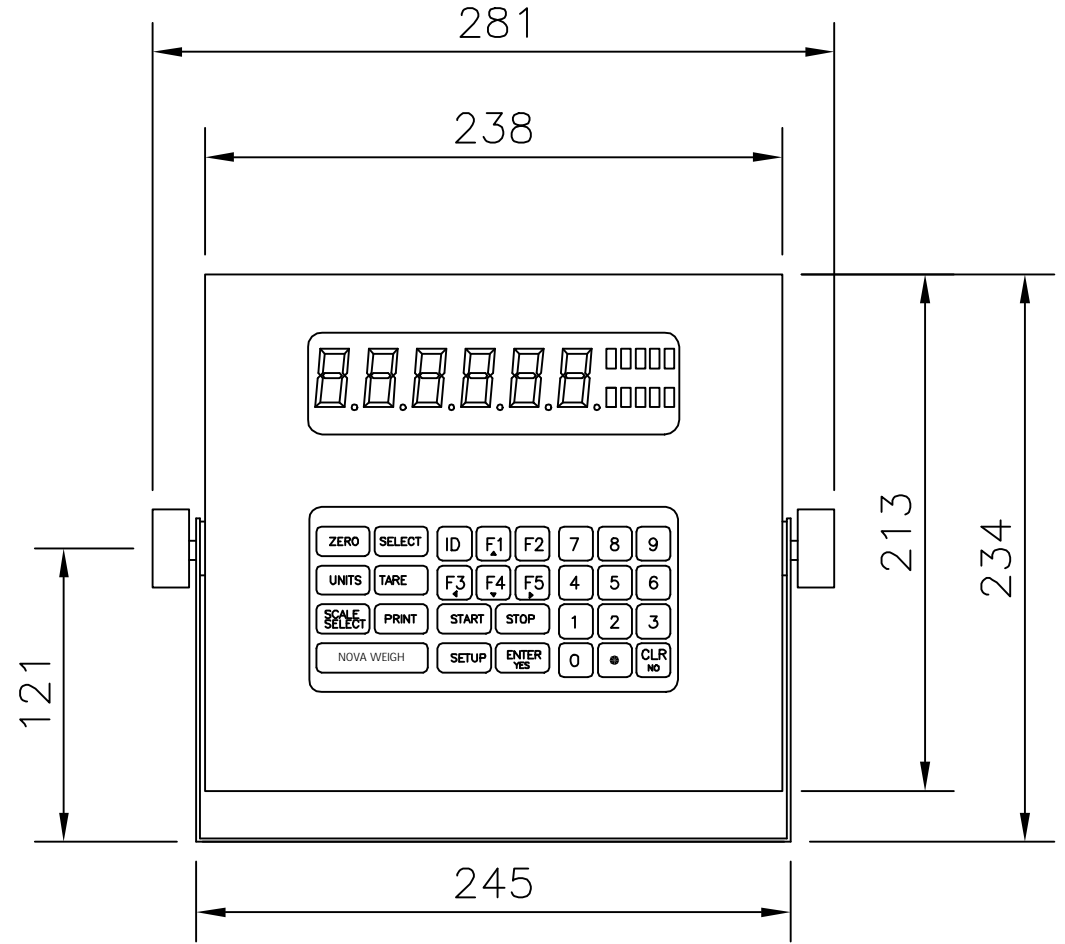
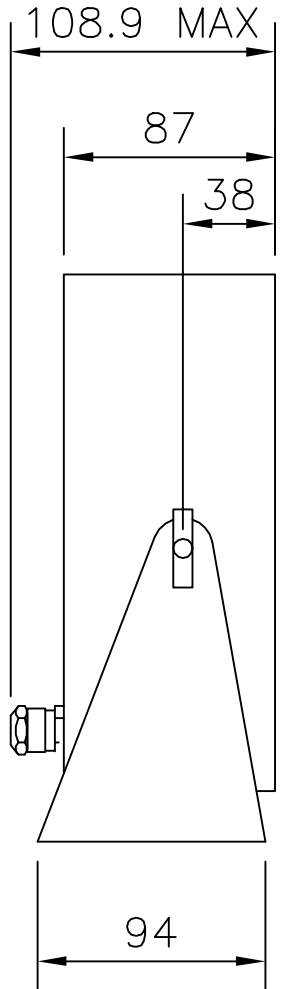


DRG.No. 13/9015

MOD	ADDED BY	DATE	MOD No.
B	-	-	-

This drawing is for information purposes only and should not be used for manufacture without first referring to Nova Weigh



4 OFF MOUNTING HOLES $\phi 7.1$
 2 OFF MOUNTING HOLES $\phi 5.2$
 HOLE $\phi 50.8$

DO NOT SCALE — IF IN DOUBT ASK		
PROJECTION		
ALL DIMENSIONS IN mm		
UNLESS OTHERWISE STATED		
REMOVE ALL BURRS AND SHARP EDGES	TOLERANCES	
LIGHTLY CSK ALL HOLES	NO DEC PLACE	+/-
	ONE DEC PLACE	+/-
	TWO DEC PLACE	+/-
	ANGLES	+/-
© Copyright Nova Weigh Ltd. Not to be copied or shown to a third party without the written permission of Nova Weigh Ltd.	MACHINING	
	ROUGH MACHINE	SMOOTH MACHINE
		GRIND
G.A.	ORIGINAL SCALE	
-	1:3	
PARTS LIST	DRAWN	
-	KWW	
QTY	DATE	
-	24/5/02	
MATERIAL	CHKD	APPD
-	-	-



THIS IS A CAD GENERATED DRG DO NOT CHANGE MANUALLY

TITLE GA
 660, 661, 662 PWI
 NOVA WEIGH LTD
 STANDARD

DRG.No. 13/9015/A