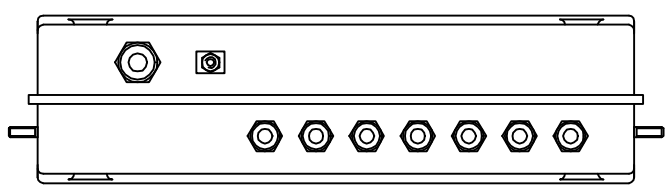
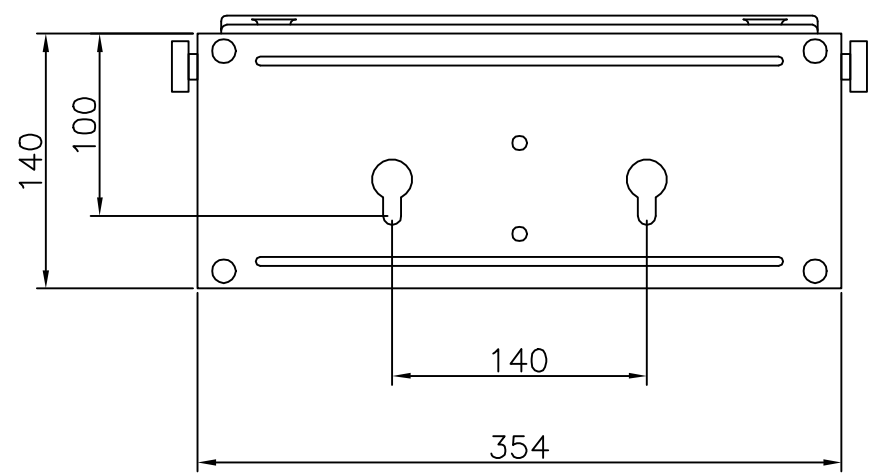
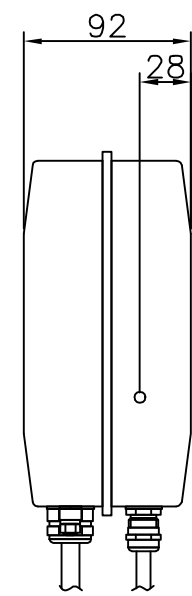
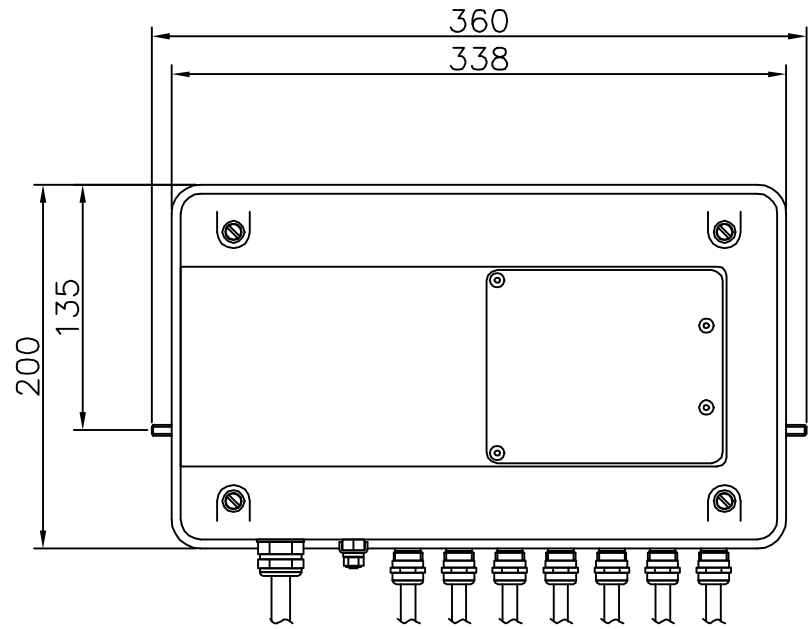
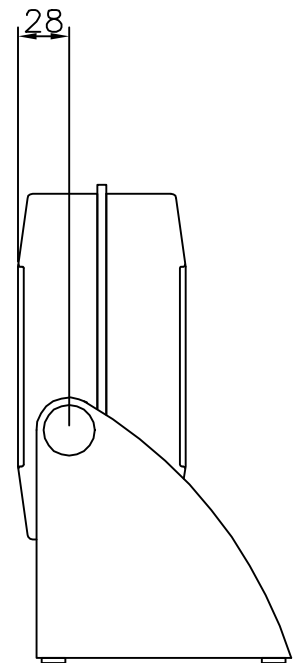
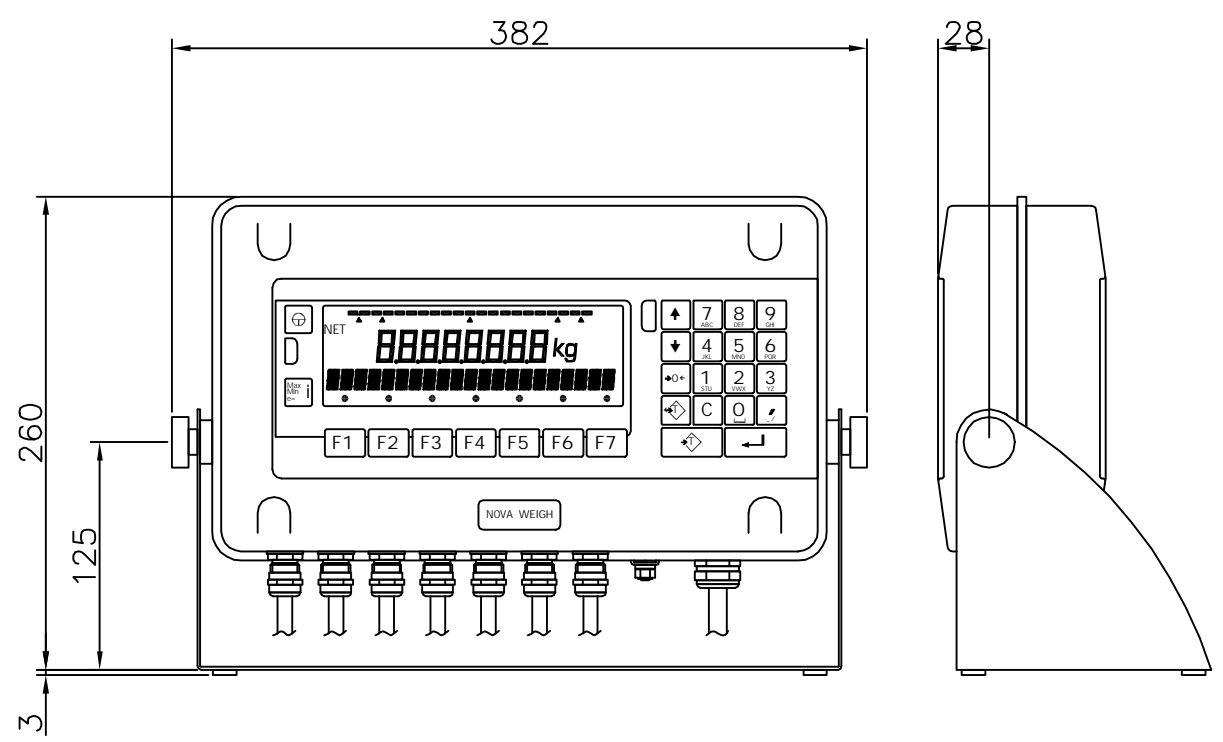
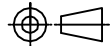


DRG.No. 13/9013

This drawing is for information purposes only and should not be used for manufacture without first referring to Nova Weigh



MOD	ADDED BY	DATE	MOD No.
-----	----------	------	---------

DO NOT SCALE — IF IN DOUBT ASK
 PROJECTION 
 ALL DIMENSIONS IN mm
 UNLESS OTHERWISE STATED

REMOVE ALL BURRS AND SHARP EDGES LIGHTLY CSK ALL HOLES	TOLERANCES
	NO DEC PLACE +/-
	ONE DEC PLACE +/-
	TWO DEC PLACE +/-
	ANGLES +/-

© Copyright Nova Weigh Ltd. Not to be copied or shown to a third party without the written permission of Nova Weigh Ltd.

G.A. 13/9013 ORIGINAL SCALE 1:4

PARTS LIST — DRAWN KWW

QTY — DATE 22/5/02

MATERIAL — CHKD — APPD —



THIS IS A CAD GENERATED DRG DO NOT CHANGE MANUALLY

TITLE GA
 ST INDICATOR
 NOVA WEIGH LTD
 STANDARD DRAWING

DRG.No. 13/9013/A