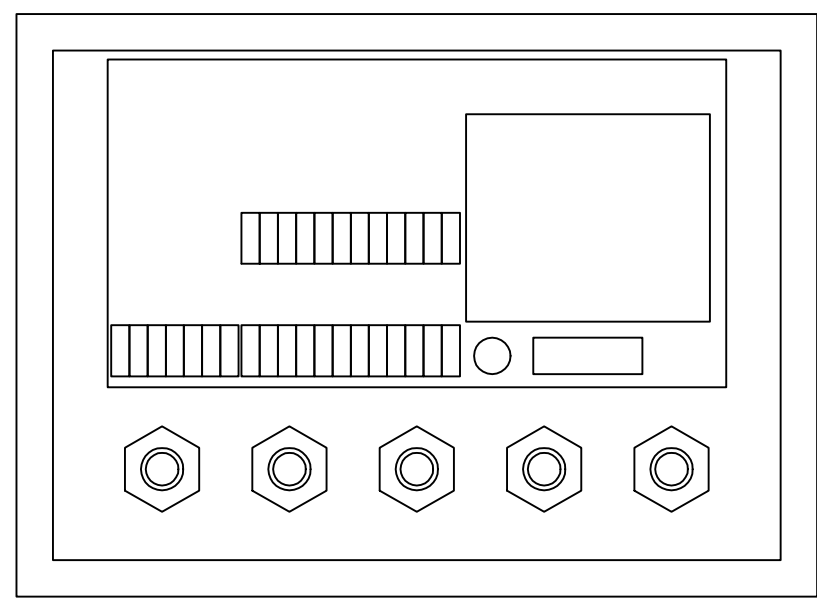
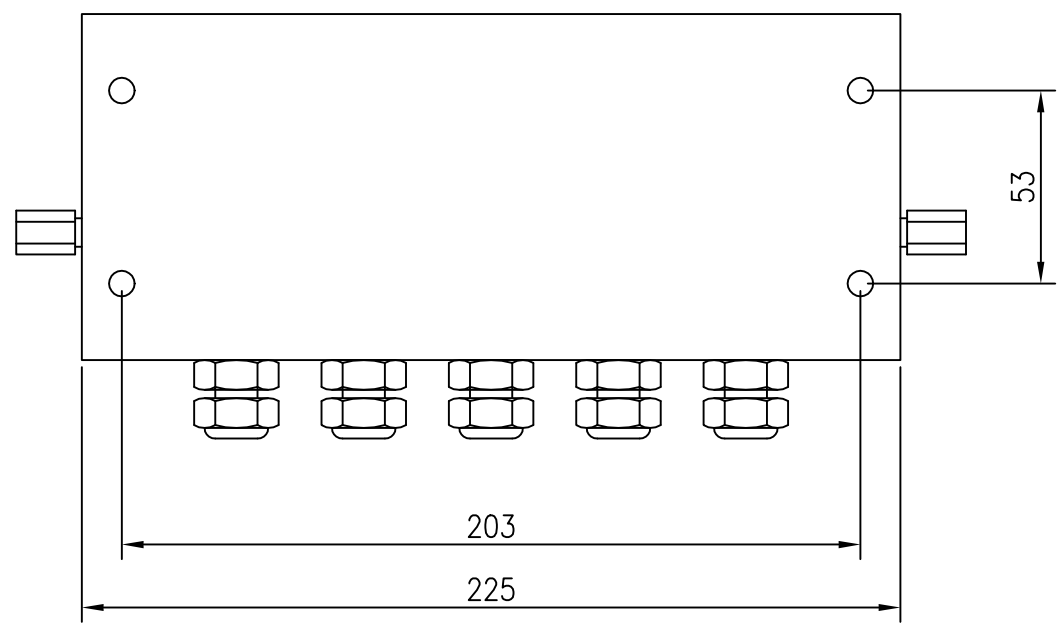
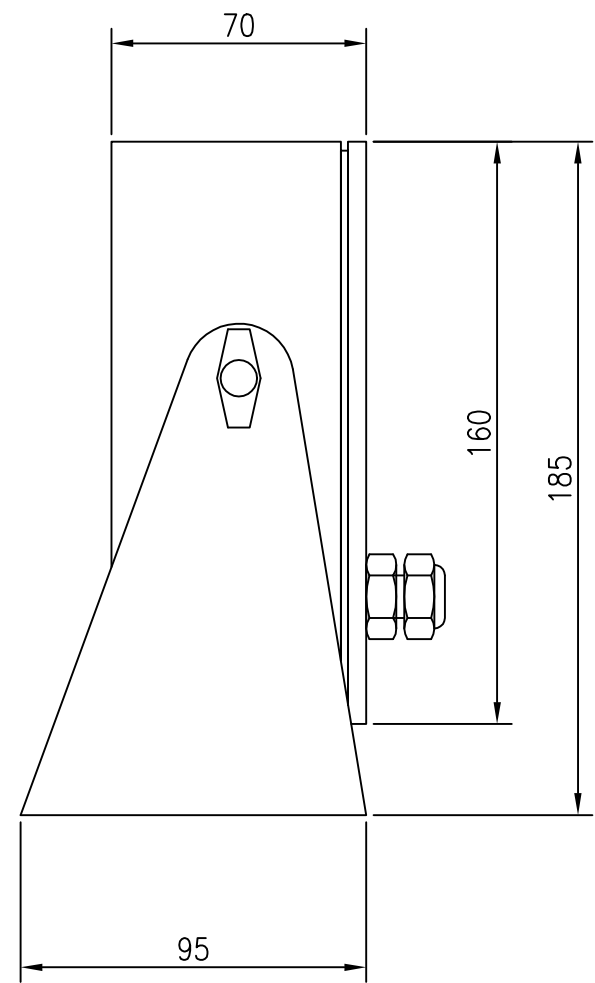
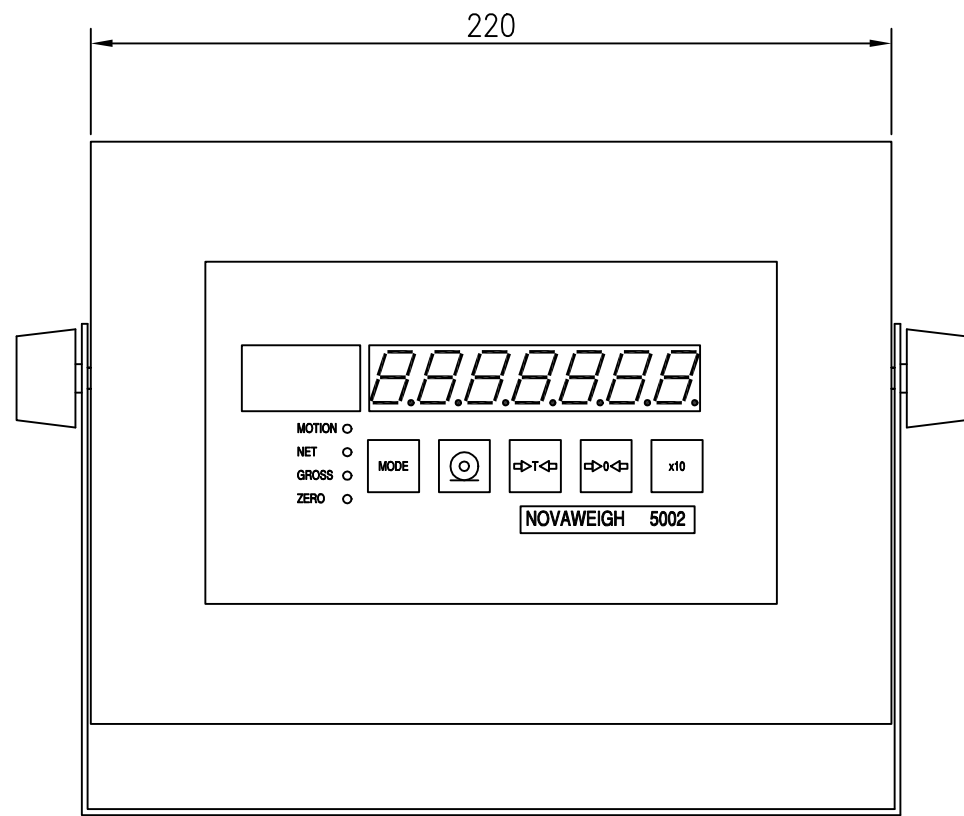


DRG.No. 13/8872

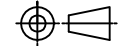


5002 DWI
 IP66 SEALING
 MAIN CASE 304 STAINLESS STEEL
 KEYBOARD POLYESTER
 LOADING 25mA AT 230V AC, 35mA AT 110V AC
 WEIGH 2.2kg
 5002B HAS NO FUCTIONALITY ON BOTTOM TERMINALS

VIEW ON INTERNALS OF ENCLOSURE BACK
 SHOWING CONNECTIONS

MOD	ADDED BY	DATE	MOD No.
B			-

This drawing is for information purposes only and should not be used for manufacture without first referring to Nova Weigh

DO NOT SCALE — IF IN DOUBT ASK
 PROJECTION 
 ALL DIMENSIONS IN mm
 UNLESS OTHERWISE STATED

REMOVE ALL BURRS AND SHARP EDGES
 LIGHTLY CSK ALL HOLES

TOLERANCES	
NO DEC PLACE	+/-
ONE DEC PLACE	+/-
TWO DEC PLACE	+/-
ANGLES	+/-

© Copyright Nova Weigh Ltd. Not to be copied or shown to a third party without the written permission of Nova Weigh Ltd
 G.A.

MACHINING	
ROUGH MACHINE	SMOOTH MACHINE
GRIND	

ORIGINAL SCALE 1:2

PARTS LIST	DRAWN	
—	KWW	
QTY	DATE	
—	14/11/01	
MATERIAL	CHKD	APPD
—	—	—

NOVA WEIGH 

()
 THIS IS A CAD GENERATED DRG
 DO NOT CHANGE MANUALLY

TITLE GA
 NOVA WEIGH 5002
 NOVA WEIGH LTD
 STANDARD DRAWING

DRG.No. 13/8872/A