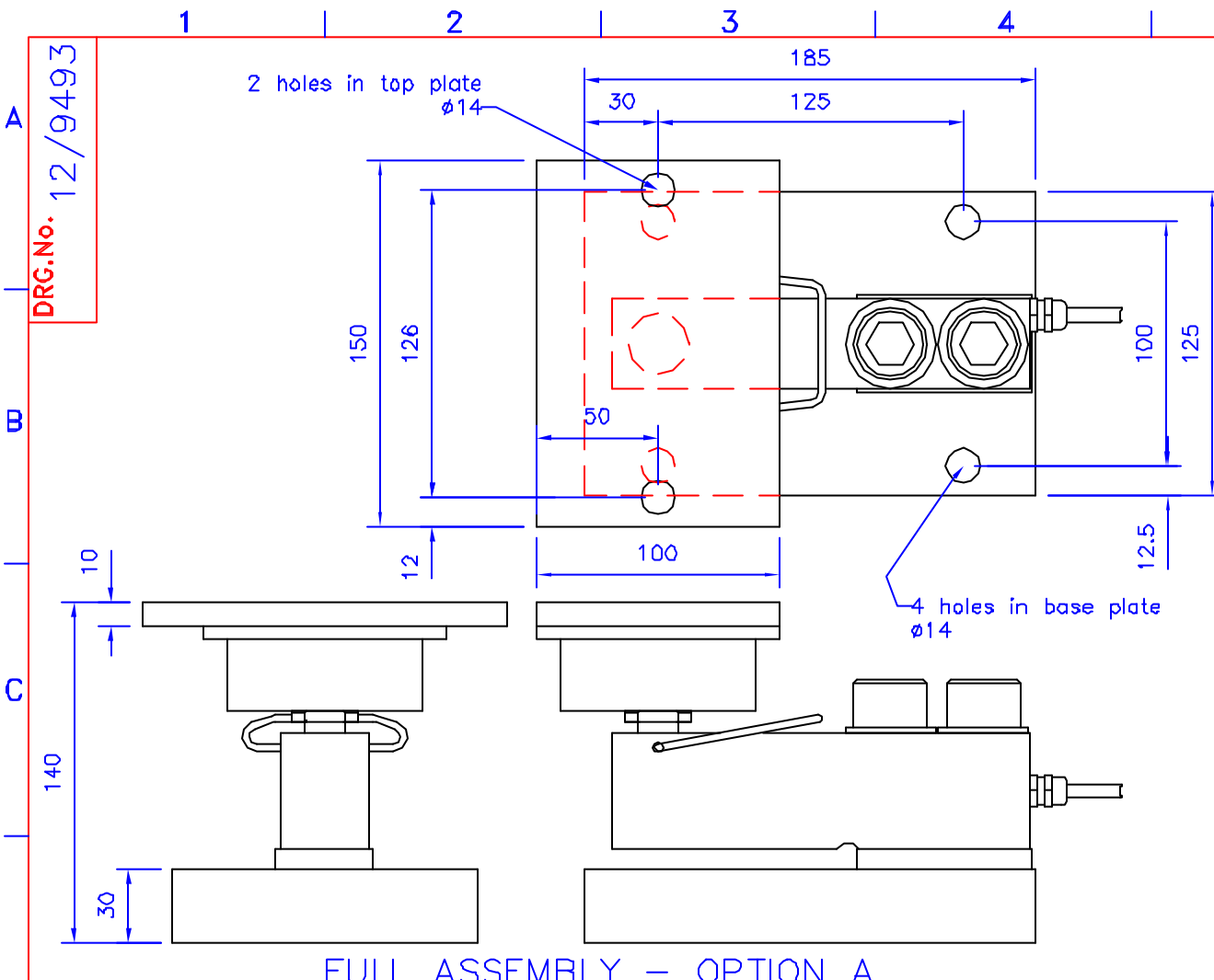
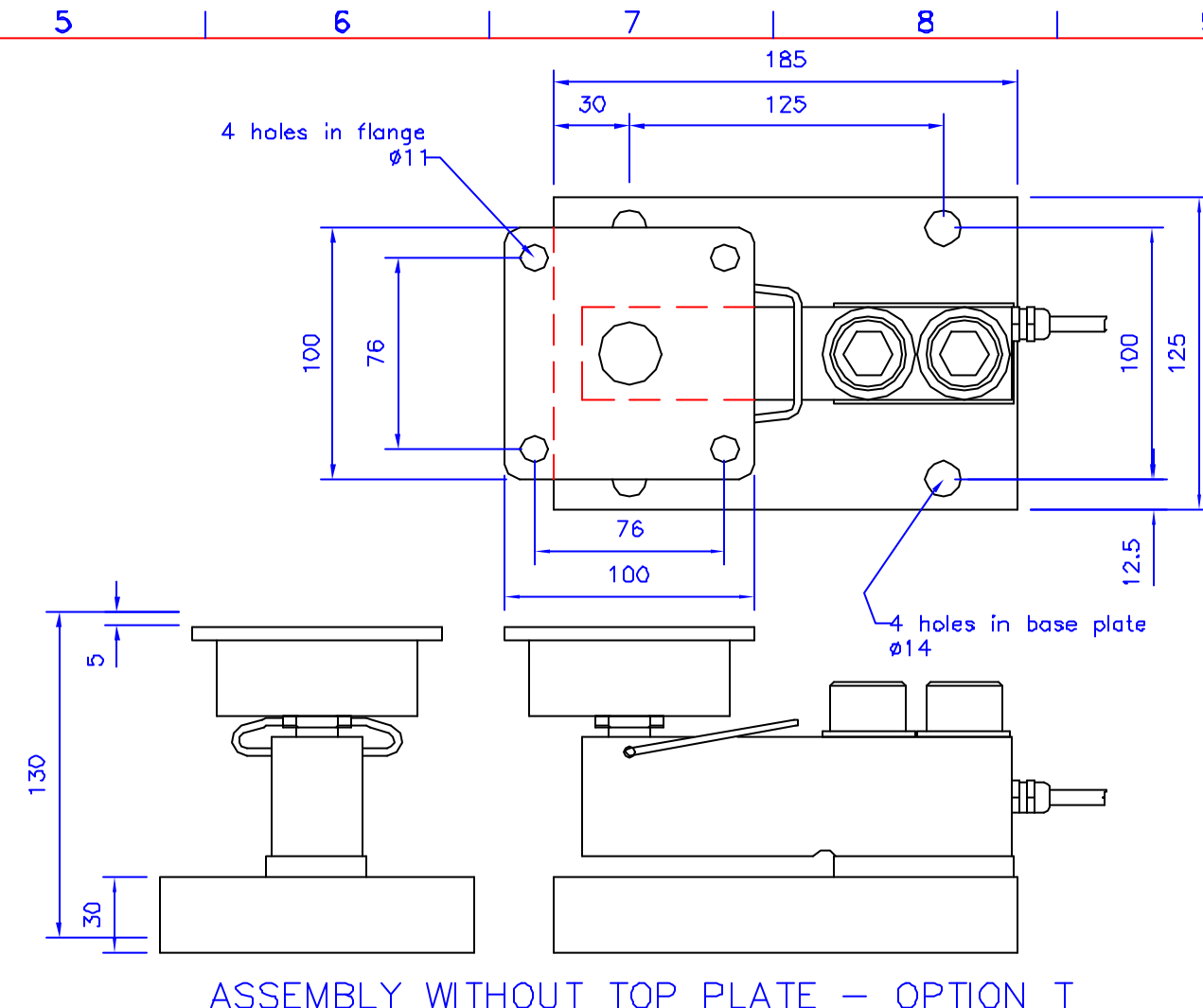


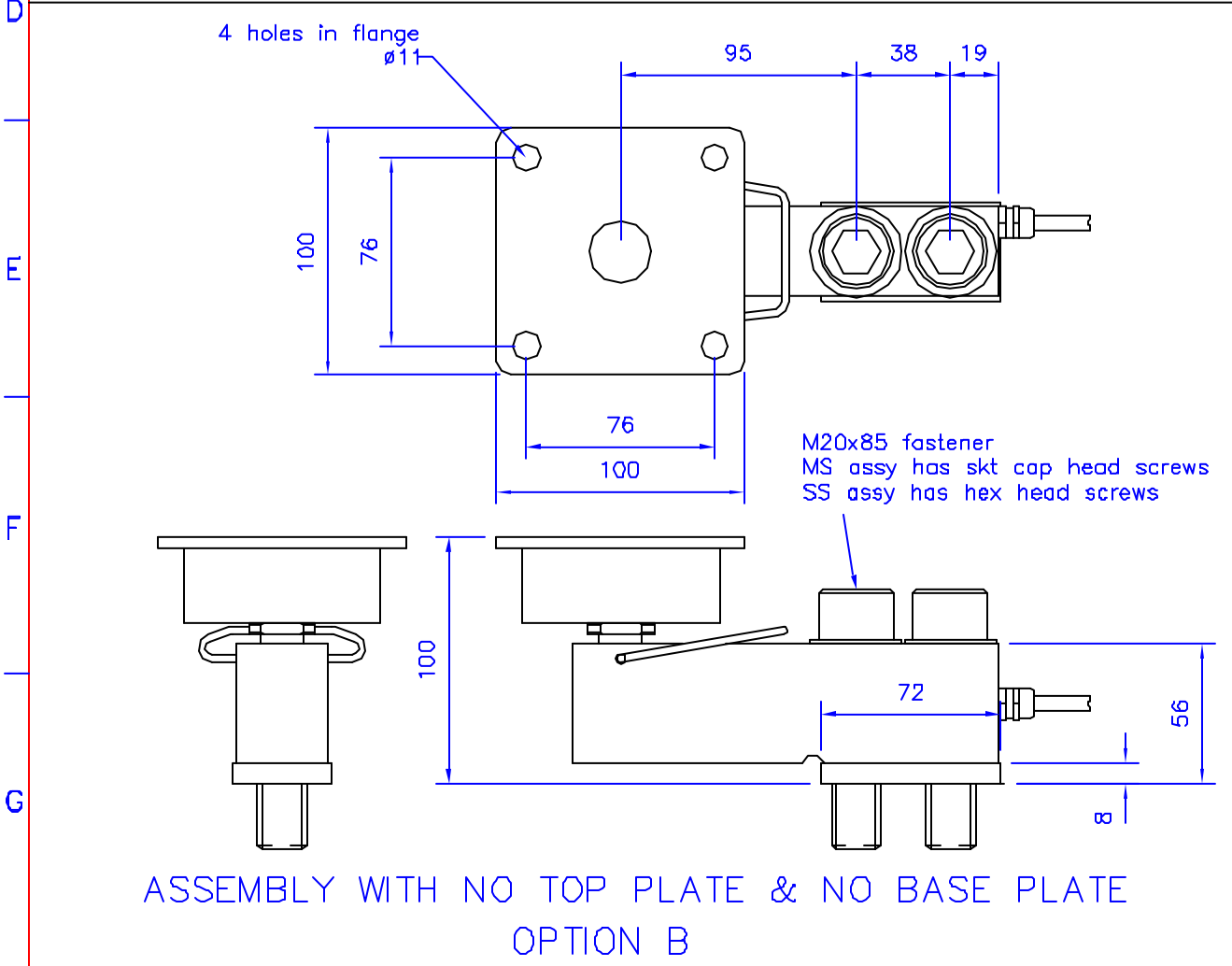
DRG.No. 12/9493



FULL ASSEMBLY - OPTION A



ASSEMBLY WITHOUT TOP PLATE - OPTION T




ASSEMBLY WITH NO TOP PLATE & NO BASE PLATE  
OPTION B

This drawing is for information purposes only and should not be used for manufacture without first referring to Nova Weigh

MOD	ADDED BY	DATE
B		

DO NOT SCALE — IF IN DOUBT ASK

PROJECTION 

ALL DIMENSIONS IN mm


UNLESS OTHERWISE STATED

REMOVE ALL BURRS AND SHARP EDGES LIGHTLY CSK ALL HOLES	TOLERANCES
	NO DEC PLACE +/- 0.5mm
	ONE DEC PLACE +/- 0.1mm
	TWO DEC PLACE +/- 0.02mm
	ANGLES +/- 1 deg

© Copyright Nova Weigh Ltd. Not to be copied or shown to a third party without the written permission of Nova Weigh Ltd. G.A.

MACHINING	ROUGH MACHINE	SMOOTH MACHINE	GRIND
	ORIGINAL SCALE		
	1:2		

PARTS LIST	DRAWN	
FLEXA/B/T###	G Comley	
PARTS CODE	DATE	
	17 Mar 04	
QTY	CHKD	APPD
MATERIAL	ms bzp 304 ss	

**NOVA WEIGH**  RI 11445

Nova Weigh Ltd.  
Colemeadow Road,  
Redditch, Worcs. B98 9PB  
Tel: (01527) 67557  
Fax: (01527) 60213

THIS IS A CAD GENERATED DRG  
DO NOT CHANGE MANUALLY

TITLE

FlexiMount  
0 - 3000 kg  
0 - 5000 kg

DRG.No. 12/9493/A