

Model 560 & 562 Programmable Weight Indicator

NOVA WEIGH

- A weighing indicator and flexible programmable controller in one unit
- Powerful built-in macro programming language to create customer solutions
- European legal-for-trade approval
- Three programmable serial communication ports
- DC operation - suitable for mobile weighing
- One indicator can handle up to four scales (option)
- Expandable plant interface - up to 32 inputs or outputs (option)
- Analogue output (option)
- CE marked for European EMC and Low Voltage Directives



560 programmable weight indicator

A flexible solution for many weighing needs

The Model 560 is powerful enough to solve complex weighing tasks but with competitive pricing to make it just as suitable for all general weighing needs. Custom weighing solutions can be easily created by the user with the powerful built-in macro programming language.

The 560 is equally at home when used for vessel weighing or with platform scales - including legal-for-trade applications.

Fully featured

Even in its basic form, the Model 560 is exceptionally well equipped.

- A large six-digit Vacuum fluorescent weight display plus a ten-character display field for operator prompts. Custom messages can be created using the on-board macro-interpreter
- Model 562 features an 8 line x 40 character backlit LCD display
- Three serial ports can be connected to auxiliary devices, e.g. displays, printers and bar-code readers
- Optional I/O available via plug in Modules



562 programmable weight indicator

Programming the 560/562

No special software tools are required and a 560 macro-program can be created using any PC with a text editor and then transferred to the 560 via the serial port.

Simple instructions allow the 560 to be programmed to read and set digital i/o, interpret input strings, (e.g. from a bar-code reader), perform maths functions, create printed reports, prompt operators to take actions etc.

Options for the 560/562

The power of the 560 can be extended even further by adding options.

- Up to four scales can be used with a single 560
- An analogue output can track, e.g. Gross, Net or Flow Rate
- Process control interface with up to 32 inputs or outputs
- Selection of memory expansions for database applications

TECHNICAL SPECIFICATION

Weighing Performance

Resolution	100,000d (\pm 500,000 internal)
A/D conversion	60 Hz
Flash memory	1M bytes
Calibration	Selectable, 5 point linearisation or enter LC mV/V FS
A/D filtering	FIR (Finite Input Response) filter with selectable display update rate
Units of measure	4 user defined per scale
Custom units	2 user defined per scale (ie tons)
Zero adjustment	Selectable, 0.01 - 100% FS
Non-linearity	0.005% FS, LC dependent
Operating temperature	-10°C - +40°C
Excitation power	14 - 350 ohm bridges
Input signal connections	4 or 6 conductors with sense leads
Excitation current	400 mA, short circuit protected
Excitation voltage	10 VDC short circuit protected
Time/Date clock	Non-volatile, battery backed optional
Warranty	2 year limited

Electrical

Power input	AC, 90 - 250 VAC, 50/60 Hz
Fuse	DC, 10 -32 VDC 0.8 amp anti-surge (T)

Setpoint I/O

I/O scan rate	16 ms maximum
Number of I/O	32 maximum physical, optional 48 total (32 physical 16 logical)
Remote contact input	2 total for Tare, Print, Start, Stop, etc Invokes macros 6 & 7 if programmed

Communications

Port 1	RS232 full duplex or RS485 multi-drop optional or 20 mA current loop optional
Port 2,3	RS232 full duplex
Protocols	Modbus™
Baud rates	15 - 58.3K bps
Custom transmit tables	100 user defined RS232 output tables
Input interpreter tables	100 user defined RS232 input tables

Options & Accessories

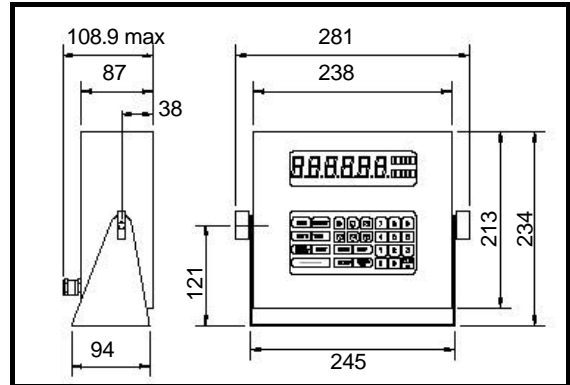
Note:	2 serial bus module ^(SBM) and 1 communication module ^(COM) and 1 data base module mount internal to the enclosure
Multi-scale module ^(SBM)	allows for simultaneous monitoring of an additional signal input
Analog output module ^(SBM)	isolated 16 bit signal output, 0-10 VDC, 0-20 mA or 4-20 mA
I/O relay module ^(SBM)	8 variations of Quad I/O boards. (AC & DC - 4 output, 4 input or 2 in/2 out)
Output voltage rating	20 - 240 VAC @ 1 A 30 - 60 VAC @ 2 A
Input voltage rating	60 - 135 VAC 200 - 250 VAC 3 - 30 VDC
RS485 module ^(COM)	isolated serial communication module replaces RS232 on port 1, multi-drop with 251 devices max, half or full duplex up to 4000 feet, 56K bps max
20 mA current loop ^(COM)	isolated serial communication module replaces RS232 on port 1, TX active or passive, RX passive, 9600 bps max, 12 VDC, 1000 foot loop
Alpha keyboard	allows alpha character entry into data registers such as product name, part number, etc
Dura-shield	0.020" layer of weatherable film lexan with adhesive backing, applied to the front of the indicator, keeps display and keypad clean in extreme environments
Reflash software	download firmware enhancements via RS232 port
BDM flash software	download firmware enhancements via BDM port

Enclosures & Displays

Enclosure	304 stainless steel, IP65, wall mount
Display	
560	VFD, 6 digit 19 mm with 2 x 5, 7 mm
562	LCD 8 line x 40 character

Nova Weigh's policy of constant product development dictates that we may alter specifications and or the appearance of our product range without notice.

DIMENSIONS (mm)



560 and 562 programmable weight indicator

NOVA WEIGH



Visit us on the web www.novaweigh.co.uk

BS EN ISO 9001:2000 Cert No: FM 11445

560_562/08/05