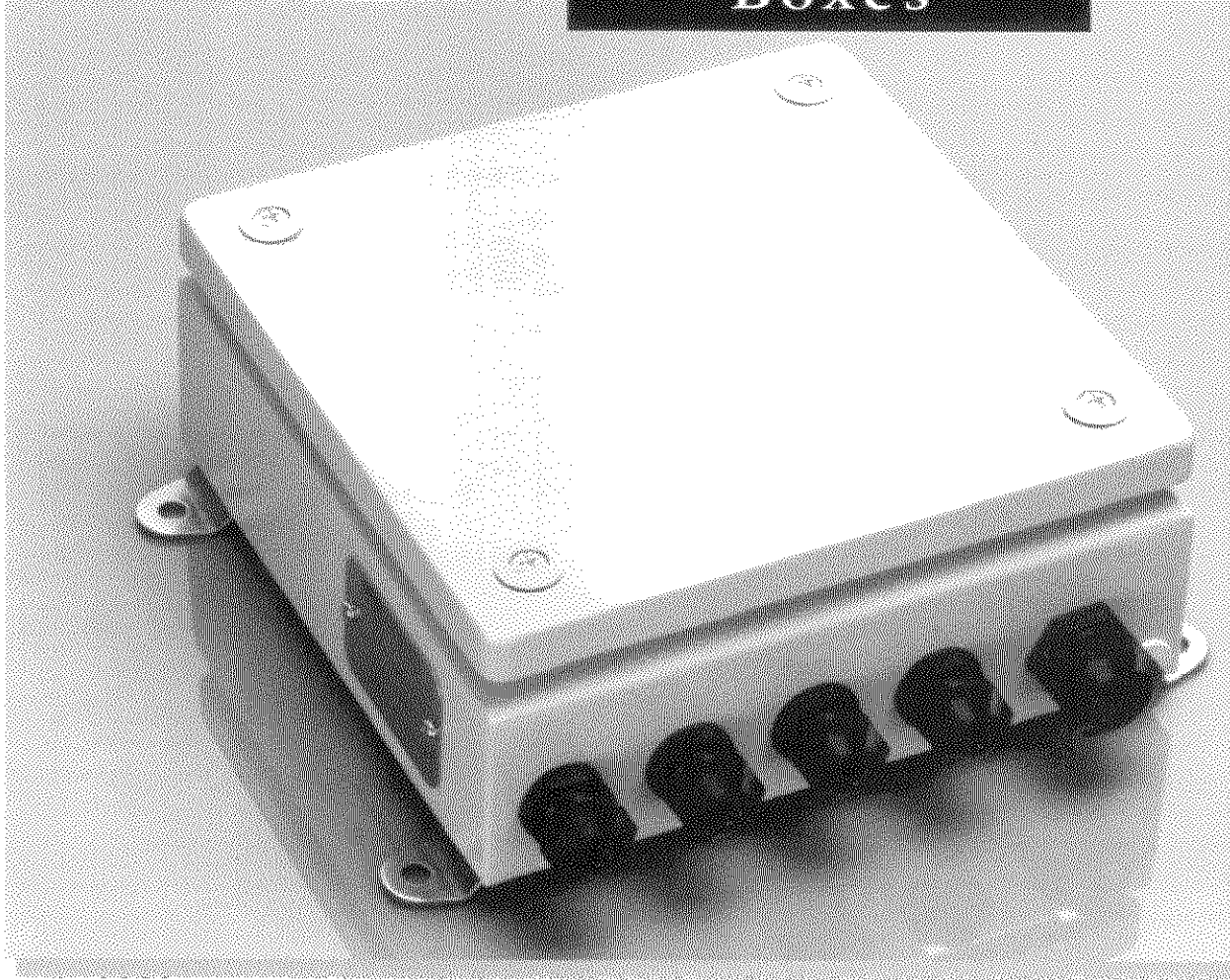


We apologise for the quality of this datasheet. The image is shown in b/w to save memory space. A paper copy is available on request.

NOVA WEIGH

1100 Series Load Cell Junction Boxes



- *IP 65 enclosures for cell cable connections*
- *Mild, stainless or polycarbonate materials*
- *Summation of load cell cables is standard*

Technical specification

Mild Steel Junction Box Enclosure

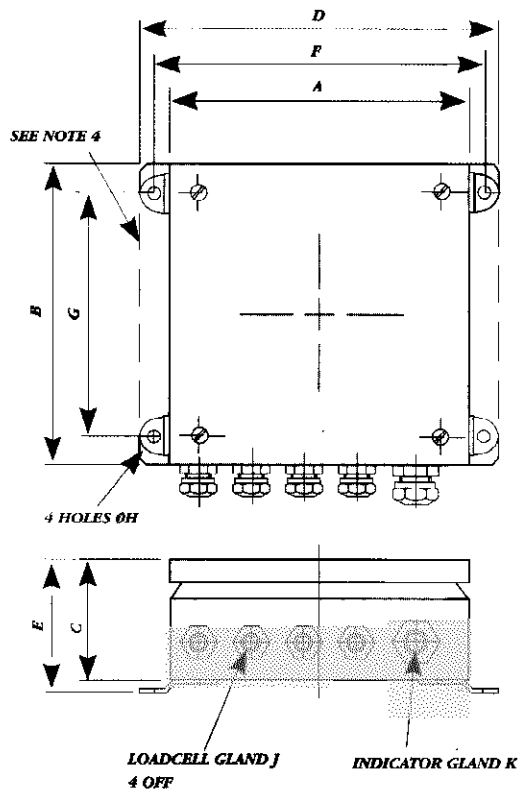
Mild Steel construction, dip coat primed, and powder coated in RAL 7032 colour. IP65 protection. Fitted with terminals suitable for 2.5mm² field cable.

Stainless Steel Junction Box Enclosure

Stainless Steel construction: grade 1.4301: brush finish. IP65 protection. Fitted with terminals suitable for 2.5mm² field cable.

Polycarbonate Junction Box Enclosure

Polycarbonate construction in RAL 7035 colour. IP65 protection. Fitted with terminals suitable for 2.5mm² field cable.



NOTES:-

1. Standard cable entry via Savel nylon compression glands.
2. Optional conduit entry glands suitable for Adaptaflex liquid tight flexible conduit.
3. When all loadcell entries are not used, spare entries are plugged.
4. Polycarbonate junction box is mounted on a stainless steel backplate, undrilled to allow welding as an alternative method of fixing. Remove junction box from mounting plate if there is a risk of damage during the welding process.
5. Balancing circuit board can be added to enable the individual adjustment of the load cell output.

(Dimensions in mm)

JUNCTION BOX MATERIAL	A	B	C	D	E	F	G	H	J	K
Mild Steel	200	200	80	240	88	220	160	8.2	M16	M20
Stainless Steel	200	200	80	240	88	220	160	8.2	M16	M20
Polycarbonate	200	150	75	240	78	-	-	-	M16	M20



Design, manufacture and service of weighing and process control systems

We reserve the right to alter or modify the specifications without notice

NOVA WEIGH

United Kingdom: Colemeadow Road, Redditch, Wores B98 9PB.
Tel: +44 (0)1527 67557 Fax: +44 (0)1527 60213

Ireland: Unit 6A, Times Square Centre, Ballincollig, Cork.
Tel: +353 (0)21 876522 Fax: +353 (0)21 876520

Holland: Toepadweg 7, Postbus 2128, 5300CC Zaltbommel.
Tel: +31 (0)418 518213 Fax: +31 (0)418 512169

India: 'Ceebros Arcade' 4th Floor, Sardar Patel Road, Madras 600 020.
Tel: +91 (0)44 443 0659 Fax: +91 (0)44 491 6792

Also Represented World-wide